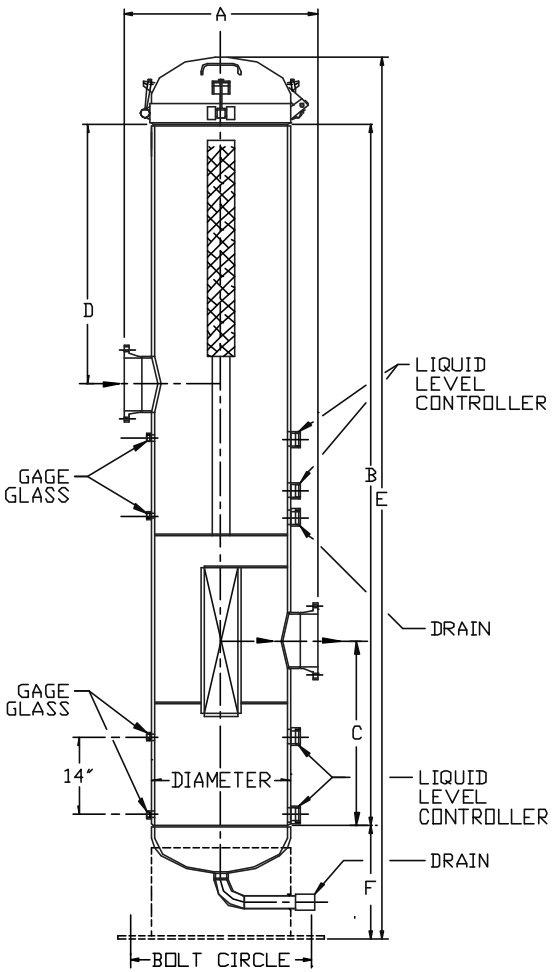


FILE NO.: A400-18.DWG
 DRAWN: DFM CHECKED: KES
 SCALE: NONE DATE: 3/16/96

ANDERSON™ SEPARATOR Co.
 DIVISION OF
 THE CLARK • RELIANCE® CORP.
 16633 FOLTZ INDUSTRIAL PKWY.
 STRONGSVILLE, OHIO 44136 U.S.A. (440)-572-1500

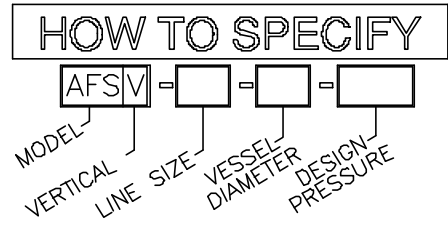
MODEL AFS
 VERTICAL FILTER SEPARATOR

Section: A400
 Bulletin: A400.18
 Date: 12/15/97
 Supersedes: 5/15/97



SIZE		150 LB.	300 LB.	600 LB.	900 LB.	DIMENSIONS NOT FOR CONSTRUCTION						
VESSEL DIAMETER	INLET/OUTLET	A	A	A	A	B	C	D	E	F	BOLT CIRCLE	BOLT HOLES
8-5/8" OD	2	21	21	21	23	104	23	42	126	16	11-1/8	4@7/8"
10-3/4" OD	3	23	23	25	25	104	23	42	129	17	13-1/4	4@7/8"
12-3/4" OD	4	25	25	25	27	109	24.5	43	136	17	15-1/4	4@7/8"
14" OD	6	30	30	30	32	114	26	44	143	18	16-1/2	4@7/8"
16" OD	6	32	32	32	34	114	26	44	143	18	18-1/2	4@7/8"
18" OD	8	34	34	36	36	122	29	45	152	19	20-1/2	4@7/8"
20" OD	8	36	36	38	38	122	29	45	154	19	22-1/2	4@7/8"
24" OD	10	40	40	42	44	136	35	46	169	20	26-1/2	4@7/8"
26" OD	10	42	42	44	46	136	35	46	172	21	28-1/2	4@7/8"
28" ID	10	44	44	46	48	136	35	46	173	21	30-1/2	4@7/8"
30" ID	12	46	46	48	50	150	41	47	189	22	32-1/2	4@7/8"
32" ID	12	48	48	50	52	150	41	47	190	22	34-1/2	4@7/8"
34" ID	14	50	52	52	56	152	41	48	194	23	36-1/2	4@7/8"
36" ID	14	52	54	54	58	152	41	48	196	23	38-1/2	4@7/8"
39" ID	16	55	57	57	61	154	41	49	197	24	41-1/2	4@7/8"
42" ID	16	58	60	60	64	166	47	49	213	25	44-1/2	4@7/8"
45" ID	18	65	65	67	69	168	47	50	215	25	47-1/2	8@7/8"
48" ID	20	68	68	70	72	176	50	51	224	26	50-1/2	8@7/8"
54" ID	20	74	74	76	78	176	50	51	226	28	56-1/2	8@7/8"
60" ID	24	80	80	82	84	186	53	53	245	29	62-1/2	8@7/8"
66" ID	24	86	86	88	90	186	53	53	249	31	68-1/2	8@7/8"
72" ID	30	96	96	98	100	192	53	56	256	32	74-1/2	8@7/8"

STANDARD MATERIALS	
HEADS	SA-516-70
SHELL	SA-106-B/C / SA-516-70
FLANGES	SA-105
FITTINGS	SA-105
PIPE	SA-106-B/C
SUPPORTS	SA-36 / SA-285
CLOSURE	CARBON STEEL



A.S.M.E. CODE STAMPS
 U UM R

NOTES:

- 1) DESIGNED, FABRICATED AND STAMPED IN ACCORDANCE WITH ASME CODE SECTION VIII, DIVISION I.
- 2) SEPARATION VANES AVAILABLE IN CARBON STEEL, 304-L & 316-L STAINLESS STEEL, OPTIONAL ALLOYS UPON REQUEST.
- 3) OPTIONAL SKIRT AND BASE, ANGLE LEGS, OR SUPPORT LUGS AVAILABLE UPON REQUEST.
- 4) SPECIAL MATERIALS, CONFIGURATIONS, AND HIGHER DESIGN PRESSURES AVAILABLE UPON REQUEST.
- 5) ABOVE DIMENSIONS NOT FOR CONSTRUCTION.
- 6) ALL DIMENSIONS IN INCHES UNLESS OTHERWISE SPECIFIED

AVAILABLE CONNECTIONS

DRAINS: _____
 VENT: _____
 L.L.C.: _____
 DIFF. PRESS.: _____
 INSPECTION: _____
 GAGE GLASS: _____
 OTHER: _____