

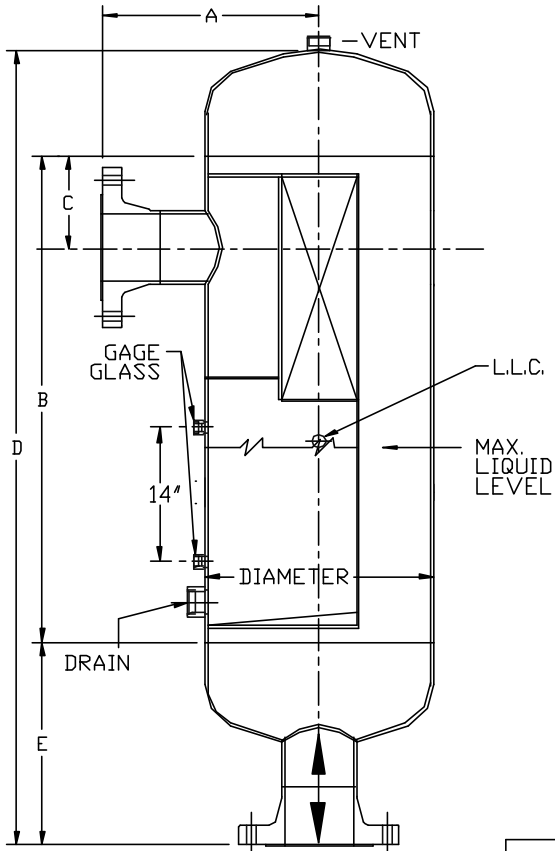
FILE NO.: A400-04.DWG
 DRAWN: GRD CHECKED: KES
 SCALE: NONE DATE: 03/16/96

ANDERSON™ SEPARATOR Co.
 DIVISION OF
 THE CLARK • RELIANCE® CORP.
 16633 FOLTZ INDUSTRIAL PKWY.
 STRONGSVILLE, OHIO 44136 U.S.A. (440)-572-1500

MODEL **AVS**
 SB/BS VANE SEPARATOR

Section: A400
 Bulletin: A400.04
 Date: 3/16/96
 Supersedes: NEW

DIMENSIONS NOT FOR CONSTRUCTION



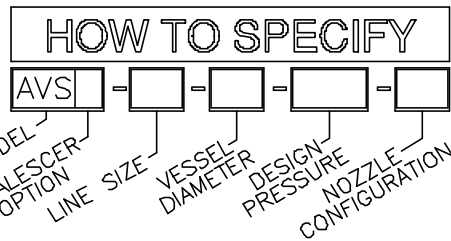
SIZE			150 LB.	300 LB.	600 LB.	900 LB.	D AND E FOR 150# ONLY			
MODEL AVS-	VESSEL DIAMETER	INLET/OUTLET	A	A	A	A	B	C	D	E
2-8	8-5/8" OD	2"	10"	10"	10"	12"	48"	7"	56"	10"
3-10	10-3/4" OD	3"	11"	11"	13"	13"	48"	7"	57"	11"
4-12	12-3/4" OD	4"	12"	14"	14"	14"	51"	8"	60"	11"
6-14	14" OD	6"	15"	15"	15"	17"	54"	9"	66"	14"
6-16	16" OD	6"	16"	16"	16"	18"	54"	9"	66"	14"
8-18	18" OD	8"	17"	17"	19"	19"	60"	11"	73"	15"
8-20	20" OD	8"	18"	18"	20"	20"	60"	11"	73"	15"
10-24	24" OD	10"	20"	20"	22"	24"	72"	15"	86"	16"
12-24	24" OD	12"	20"	20"	22"	24"	72"	15"	86"	16"
12-30	30" ID	12"	23"	23"	25"	27"	84"	19"	100"	18"
14-30	30" ID	14"	23"	25"	25"	29"	84"	19"	100"	18"
14-36	36" ID	14"	26"	28"	28"	32"	90"	21"	107"	19"
16-36	36" ID	16"	26"	28"	28"	32"	90"	21"	107"	19"
16-42	42" ID	16"	29"	31"	31"	35"	96"	23"	115"	21"
16-48	48" ID	16"	32"	34"	34"	38"	102"	25"	122"	22"
18-54	54" ID	18"	37"	37"	39"	41"	102"	25"	126"	26"
20-60	60" ID	20"	40"	40"	42"	44"	108"	27"	133"	27"
24-66	66" ID	24"	43"	43"	45"	47"	108"	27"	135"	29"
28-72	72" ID	28"	48"	48"	50"	52"	108"	27"	138"	32"
28-78	78" ID	28"	51"	51"	53"	55"	108"	27"	140"	34"
30-84	84" ID	30"	54"	54"	56"	58"	108"	27"	141"	35"
30-90	90" ID	30"	57"	57"	59"	61"	108"	27"	143"	37"
36-96	96" ID	36"	60"	60"	62"	64"	108"	27"	144"	38"

- NOTES:**
- DESIGNED, FABRICATED AND STAMPED IN ACCORDANCE WITH ASME CODE SECTION VII, DIVISION I.
 - SEPARATION VANES AVAILABLE IN CARBON STEEL, 304-L & 316-L STAINLESS STEEL, OPTIONAL ALLOYS UPON REQUEST.
 - OPTIONAL SUPPORT LUGS AVAILABLE UPON REQUEST.
 - SPECIAL MATERIALS, CONFIGURATIONS, AND HIGHER DESIGN PRESSURES AVAILABLE UPON REQUEST.
 - ABOVE DIMENSIONS NOT FOR CONSTRUCTION.

A.S.M.E. CODE STAMPS

STANDARD MATERIALS

HEADS	SA-516-70
SHELL	SA-106-B/C / SA-516-70
FLANGES	SA-105
FITTINGS	SA-105
PIPE	SA-106-B/C
SUPPORTS	SA-36 / SA-285



AVAILABLE CONNECTIONS

DRAIN: _____ VENT: _____
 SYPHON: _____ L.L.C.: _____
 INSPECTION: _____
 OTHERS: _____

