

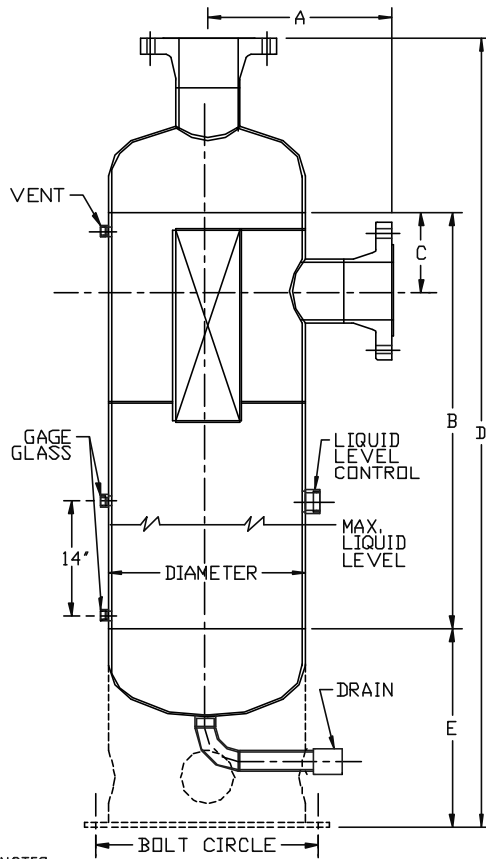
FILE NO.: A400-03.DWG
 DRAWN: GRD CHECKED: KES
 SCALE: NONE DATE: 03/16/96

ANDERSON™ SEPARATOR Co.
 DIVISION OF
 THE CLARK-RELIANCE® CORP.
 16633 FOLTZ INDUSTRIAL PKWY.
 STRONGSVILLE, OHIO 44136 U.S.A. (440)-572-1500

MODEL AVS
 ST/TS VANE SEPARATOR

Section: A400
 Bulletin: A400.03
 Date: 3/16/96
 Supersedes: NEW

DIMENSIONS NOT FOR CONSTRUCTION



SIZE			150 LB.	300 LB.	600 LB.	900 LB.	D AND E FOR 150# RATING ONLY						
MODEL AVS-	VESSEL DIAMETER	INLET/OUTLET	A	A	A	A	B	C	D	E	BOLT CIRCLE	BOLT HOLES	
2-8	8-5/8" OD	2"	10"	10"	10"	12"	38"	7"	64"	16"	11-1/8"	4Ø7/8"	
3-10	10-3/4" OD	3"	11"	11"	13"	13"	38"	7"	65"	17"	13-1/4"	4Ø7/8"	
4-12	12-3/4" OD	4"	12"	14"	14"	14"	41"	8"	69"	17"	15-1/4"	4Ø7/8"	
6-14	14" OD	6"	15"	15"	15"	17"	44"	13"	75"	18"	16-1/2"	4Ø7/8"	
6-16	16" OD	6"	16"	16"	16"	18"	48"	13"	80"	18"	18-1/2"	4Ø7/8"	
8-18	18" OD	8"	17"	17"	19"	19"	54"	15"	87"	19"	20-1/2"	4Ø7/8"	
8-20	20" OD	8"	18"	18"	20"	20"	54"	15"	88"	19"	22-1/2"	4Ø7/8"	
10-24	24" OD	10"	20"	20"	22"	24"	66"	19"	102"	20"	26-1/2"	4Ø7/8"	
12-24	24" OD	12"	20"	20"	22"	24"	66"	19"	102"	20"	26-1/2"	4Ø7/8"	
12-30	30" ID	12"	23"	23"	25"	27"	84"	29"	123"	22"	32-1/2"	4Ø7/8"	
14-30	30" ID	14"	23"	25"	25"	29"	84"	29"	123"	22"	32-1/2"	4Ø7/8"	
14-36	36" ID	14"	26"	28"	28"	32"	90"	31"	132"	23"	38-1/2"	4Ø7/8"	
16-36	36" ID	16"	26"	28"	28"	32"	90"	31"	132"	23"	38-1/2"	4Ø7/8"	
16-42	42" ID	16"	29"	31"	31"	35"	96"	33"	141"	25"	44-1/2"	4Ø7/8"	
16-48	48" ID	16"	32"	34"	34"	38"	102"	35"	150"	26"	50-1/2"	8Ø7/8"	
18-54	54" ID	18"	37"	37"	39"	41"	102"	35"	155"	28"	56-1/2"	8Ø7/8"	
20-60	60" ID	20"	40"	40"	42"	44"	108"	37"	164"	29"	62-1/2"	8Ø7/8"	
24-66	66" ID	24"	43"	43"	45"	47"	114"	43"	173"	31"	68-1/2"	8Ø7/8"	
28-72	72" ID	28"	48"	48"	50"	52"	114"	43"	178"	32"	74-1/2"	8Ø7/8"	
28-78	78" ID	28"	51"	51"	53"	55"	114"	43"	181"	34"	80-1/2"	8Ø7/8"	
30-84	84" ID	30"	54"	54"	56"	58"	114"	43"	184"	35"	86-1/2"	8Ø7/8"	
30-90	90" ID	30"	57"	57"	59"	61"	114"	43"	187"	37"	92-1/2"	8Ø7/8"	
36-96	96" ID	36"	60"	60"	62"	64"	114"	43"	190"	38"	98-1/2"	8Ø7/8"	

NOTES:

- DESIGNED, FABRICATED AND STAMPED IN ACCORDANCE WITH ASME CODE SECTION VIII, DIVISION I.
- SEPARATION VANES AVAILABLE IN CARBON STEEL, 304-L & 316-L STAINLESS STEEL, OPTIONAL ALLOYS UPON REQUEST.
- OPTIONAL SKIRT AND BASE, ANGLE LEGS, OR SUPPORT LUGS AVAILABLE UPON REQUEST.
- SPECIAL MATERIALS, CONFIGURATIONS, AND HIGHER DESIGN PRESSURES AVAILABLE UPON REQUEST.
- ABOVE DIMENSIONS NOT FOR CONSTRUCTION.

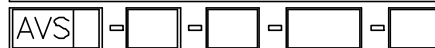
A.S.M.E. CODE STAMPS



STANDARD MATERIALS

HEADS	SA-516-70
SHELL	SA-106-B/C / SA-516-70
FLANGES	SA-105
FITTINGS	SA-105
PIPE	SA-106-B/C
SUPPORTS	SA-36 / SA-285

HOW TO SPECIFY



MODEL
 COALESCER
 OPTION
 LINE SIZE
 VESSEL
 DIAMETER
 DESIGN
 PRESSURE
 NOZZLE
 CONFIGURATION

AVAILABLE CONNECTIONS

DRAIN: _____ VENT: _____
 SYPHON: _____ L.L.C.: _____
 INSPECTION: _____
 OTHERS: _____

