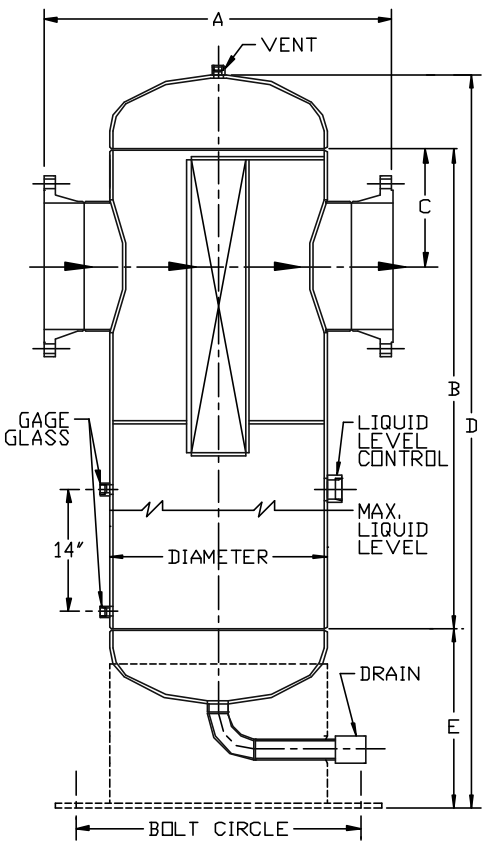


FILE NO.: A400-02.DWG  
 DRAWN: GRD CHECKED: KES  
 SCALE: NONE DATE: 03/16/96

**ANDERSON™ SEPARATOR Co.**  
 DIVISION OF  
 THE CLARK · RELIANCE® CORP.  
 16633 FOLTZ INDUSTRIAL PKWY.  
 STRONGSVILLE, OHIO 44136 U.S.A. (440)-572-1500

**MODEL AVS**  
 IN-LINE VANE SEPARATOR

Section: A400  
 Bulletin: A400.02  
 Date: 3/16/96  
 Supersedes: NEW



| SIZE       |                 |              | 150 LB. | 300 LB. | 600 LB. | 900 LB. | DIMENSIONS NOT FOR CONSTRUCTION |     |      |     |             |            |
|------------|-----------------|--------------|---------|---------|---------|---------|---------------------------------|-----|------|-----|-------------|------------|
| MODEL AVS- | VESSEL DIAMETER | INLET/OUTLET | A       | A       | A       | A       | B                               | C   | D    | E   | BOLT CIRCLE | BOLT HOLES |
| 2-6        | 6-5/8" OD       | 2"           | 19"     | 19"     | 19"     | 23"     | 36"                             | 6"  | 55"  | 16" | 9-1/8"      | 4@7/8"     |
| 3-8        | 8-5/8" OD       | 3"           | 21"     | 21"     | 25"     | 25"     | 38"                             | 7"  | 58"  | 16" | 11-1/8"     | 4@7/8"     |
| 4-12       | 12-3/4" OD      | 4"           | 25"     | 29"     | 29"     | 29"     | 41"                             | 8"  | 63"  | 17" | 15-1/4"     | 4@7/8"     |
| 6-14       | 14" OD          | 6"           | 30"     | 30"     | 30"     | 34"     | 44"                             | 9"  | 67"  | 18" | 16-1/2"     | 4@7/8"     |
| 8-16       | 16" OD          | 8"           | 32"     | 32"     | 36"     | 36"     | 44"                             | 9"  | 68"  | 18" | 18-1/2"     | 4@7/8"     |
| 10-18      | 18" OD          | 10"          | 34"     | 34"     | 38"     | 42"     | 50"                             | 11" | 75"  | 19" | 20-1/2"     | 4@7/8"     |
| 12-20      | 20" OD          | 12"          | 36"     | 36"     | 40"     | 44"     | 50"                             | 11" | 76"  | 19" | 22-1/2"     | 4@7/8"     |
| 14-24      | 24" OD          | 14"          | 40"     | 44"     | 44"     | 52"     | 62"                             | 15" | 90"  | 20" | 26-1/2"     | 4@7/8"     |
| 16-24      | 24" OD          | 16"          | 40"     | 44"     | 44"     | 52"     | 62"                             | 15" | 90"  | 20" | 26-1/2"     | 4@7/8"     |
| 14-30      | 30" ID          | 14"          | 46"     | 50"     | 50"     | 58"     | 74"                             | 19" | 105" | 22" | 32-1/2"     | 4@7/8"     |
| 16-30      | 30" ID          | 16"          | 46"     | 50"     | 50"     | 58"     | 74"                             | 19" | 105" | 22" | 32-1/2"     | 4@7/8"     |
| 16-36      | 36" ID          | 16"          | 52"     | 56"     | 56"     | 64"     | 80"                             | 21" | 114" | 23" | 38-1/2"     | 4@7/8"     |
| 18-36      | 36" ID          | 18"          | 56"     | 56"     | 60"     | 64"     | 80"                             | 21" | 114" | 23" | 38-1/2"     | 4@7/8"     |
| 18-42      | 42" ID          | 18"          | 62"     | 62"     | 66"     | 70"     | 86"                             | 23" | 123" | 25" | 44-1/2"     | 4@7/8"     |
| 20-48      | 48" ID          | 20"          | 68"     | 68"     | 72"     | 76"     | 92"                             | 25" | 132" | 26" | 50-1/2"     | 8@7/8"     |
| 24-54      | 54" ID          | 24"          | 74"     | 74"     | 78"     | 82"     | 92"                             | 25" | 135" | 28" | 56-1/2"     | 8@7/8"     |
| 28-60      | 60" ID          | 28"          | 84"     | 84"     | 88"     | 92"     | 98"                             | 27" | 144" | 29" | 62-1/2"     | 8@7/8"     |
| 28-66      | 66" ID          | 28"          | 90"     | 90"     | 94"     | 98"     | 98"                             | 27" | 147" | 31" | 68-1/2"     | 8@7/8"     |
| 30-72      | 72" ID          | 30"          | 96"     | 96"     | 100"    | 104"    | 98"                             | 27" | 150" | 32" | 74-1/2"     | 8@7/8"     |
| 30-78      | 78" ID          | 30"          | 102"    | 102"    | 106"    | 110"    | 98"                             | 27" | 153" | 34" | 80-1/2"     | 8@7/8"     |
| 32-84      | 84" ID          | 32"          | 108"    | 108"    | 112"    | 116"    | 98"                             | 27" | 156" | 35" | 86-1/2"     | 8@7/8"     |
| 32-90      | 90" ID          | 32"          | 114"    | 114"    | 118"    | 122"    | 98"                             | 27" | 159" | 37" | 92-1/2"     | 8@7/8"     |
| 36-96      | 96" ID          | 36"          | 120"    | 120"    | 124"    | 128"    | 98"                             | 27" | 162" | 38" | 98-1/2"     | 8@7/8"     |

- NOTES:**
- DESIGNED, FABRICATED AND STAMPED IN ACCORDANCE WITH ASME CODE SECTION VIII, DIVISION I.
  - SEPARATION VANES AVAILABLE IN CARBON STEEL, 304-L & 316-L STAINLESS STEEL, OPTIONAL ALLOYS UPON REQUEST.
  - OPTIONAL SKIRT AND BASE, ANGLE LEGS, OR SUPPORT LUGS AVAILABLE UPON REQUEST.
  - SPECIAL MATERIALS, CONFIGURATIONS, AND HIGHER DESIGN PRESSURES AVAILABLE UPON REQUEST.
  - ABOVE DIMENSIONS NOT FOR CONSTRUCTION.

A.S.M.E. CODE STAMPS

**STANDARD MATERIALS**

|          |                        |
|----------|------------------------|
| HEADS    | SA-516-70              |
| SHELL    | SA-106-B/C / SA-516-70 |
| FLANGES  | SA-105                 |
| FITTINGS | SA-105                 |
| PIPE     | SA-106-B/C             |
| SUPPORTS | SA-36 / SA-285         |

**HOW TO SPECIFY**

AVS - [ ] - [ ] - [ ] - [ ]

MODEL COALESCER OPTION LINE SIZE VESSEL DIAMETER DESIGN PRESSURE NOZZLE CONFIGURATION

AVAILABLE CONNECTIONS: \_\_\_\_\_  
 DRAIN: \_\_\_\_\_ VENT: \_\_\_\_\_  
 SYPHON: \_\_\_\_\_ L.L.C.: \_\_\_\_\_  
 INSPECTION: \_\_\_\_\_  
 OTHERS: \_\_\_\_\_

