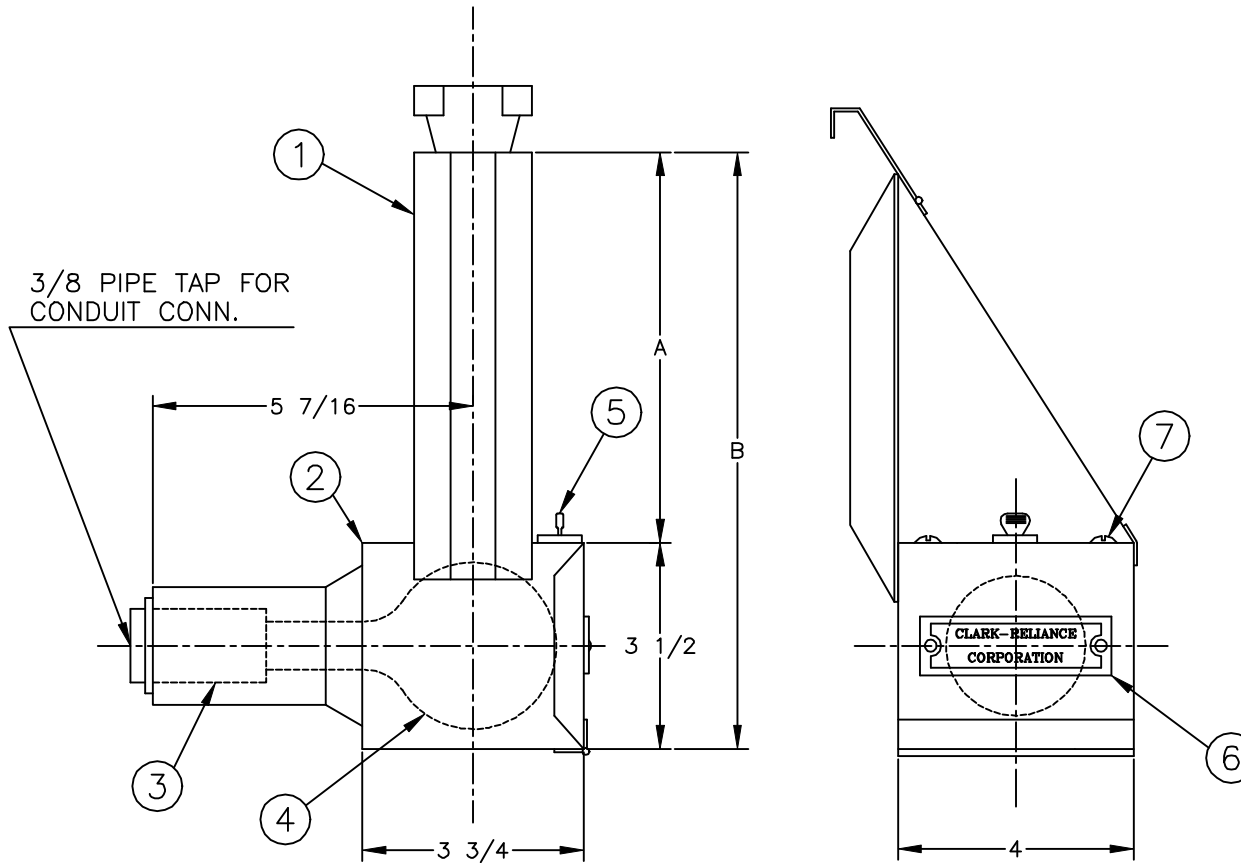


BILL OF MATERIAL

ITEM	QUAN.	PART NO.	DESCRIPTION
1	1	SEE TABLE	REFLECTOR HOUSING
2	1	GI40-21	LAMP HOUSING
3	1	GL53-7R	SOCKET, LEVITON #10049
4	1	GI40-22	CLEAR LAMP (150W-120V)
5	1	E11-7	WING SCREW
6	1	FG40-8	NAME PLATE
7	4	GI40-13	10-24 X 3/8 RHBM SCREW



LEFT HAND ILLUMINATOR

TO CHANGE ILLUMINATOR FROM L.H. TO R.H.
REMOVE 4 BRASS MACHINE SCREWS, ROTATE
LAMP HOUSING 180°, AND REPLACE MACHINE SCREWS

ILLUMINATOR	A	B	REF. HOUSING NO.
FG50 , FG1505	7	10 1/2	GI40-20
FG60 , FG1506	8	11 1/2	GI50-20
FG70 , FG1507	9	12 1/2	GI60-20
FG80	10	13 1/2	GI70-20
FG90	11	14 1/2	GI80-20

UNLESS OTHERWISE NOTED:
TOLERANCES (+)
DECIMAL & STOCK (.002)
FIN. FRACTIONAL (UP TO 1", NOT INCL.) (.010)
FIN. FRACTIONAL (1" INCL., UP TO 3") 1/64
FIN. FRACTIONAL (3" INCL., UP TO 6") 1/32
FIN. FRACTIONAL (6" INCL., UP TO 12") 1/16
FIN. FRACTIONAL (12" & OVER) 1/8
ANGLES 1°
MACHINE FINISH- 125√ OR SMOOTHER
REMOVE BURRS AND SHARP EDGES

THE CLARK-RELIANCE CORP.
STRONGSVILLE, OHIO

STANDARD ILLUMINATOR FOR
FLAT GLASS GAGES

MATERIAL
DRAWN FAS SCALE NONE
CHKD. DATE 5-23-90
DRAWING NO. REV.
A-8906 4

REV	DESCRIPTION	DATE	SIG
4	REDRAWN - NO CHANGES	1-25-93	FS
	REVISIONS		