

**BILL OF MATERIAL: JSCKIT**

ITEM	NAME OF PART	SA4		SA7		REMARKS
		P/N	QTY	P/N	QTY	
1	ENCLOSURE	K-2006-00	1	K-2004-00	1	NOTE 1
2	PRESSURE TUBE	B-1005-	1	B-1003-	1	
3	ENCLOSURE ADAPTER	M-1140-	1	M-1140-	1	NOTE 3
4	SET SCREW	J-5033-13	1	J-5033-13	1	NOTE 3
5	ROD ADAPTER, THREADED	M-4006-13	1	M-4006-13	1	NOTE 3
6	MAGNET	M-4007-13	1	M-4007-13	1	NOTE 3
7	GASKET	P5643-T	1	P5643-T	1	NOTE 3
8	SWITCH	PER ORDER	SEE BOM	PER ORDER	SEE BOM	NOTE 2
9	STOP TUBE	M-1052-13 -6.75	1	M-1052-13-6.75	1	NOTE 3
10	SCREW	J-5004-13	1	J-6500-13	4	NOTE 4
11	TAG(S)	L-1020-	1	L-1006- L-1010-	1 1	NOTE 4
12	LABEL	L-7003-	1	L-7003-	1	NOTE 4
13	THREADLOCK	V21308	1	V21308	1	NOTE 3

**NOTES:**

- DRAWING SHOWS BOTH THE SA4 & THE SA7 ENCLOSURE THAT ARE AVAILABLE WITH THE CAGED SWITCH CONVERSION KITS. LEFT SIDE OF CENTERLINE DEPICTS THE SA4 ENCLOSURE. RIGHT SIDE OF THE CENTERLINE DEPICTS THE SA7 ENCLOSURE.
- SEE BOM FOR SPECIFIC SWITCH MECHANISM AND P/N.
- ITEMS THAT ARE SHIPPED LOOSE AND UNASSEMBLED.
- ITEMS THAT ARE INCLUDED BUT NOT SHOWN.

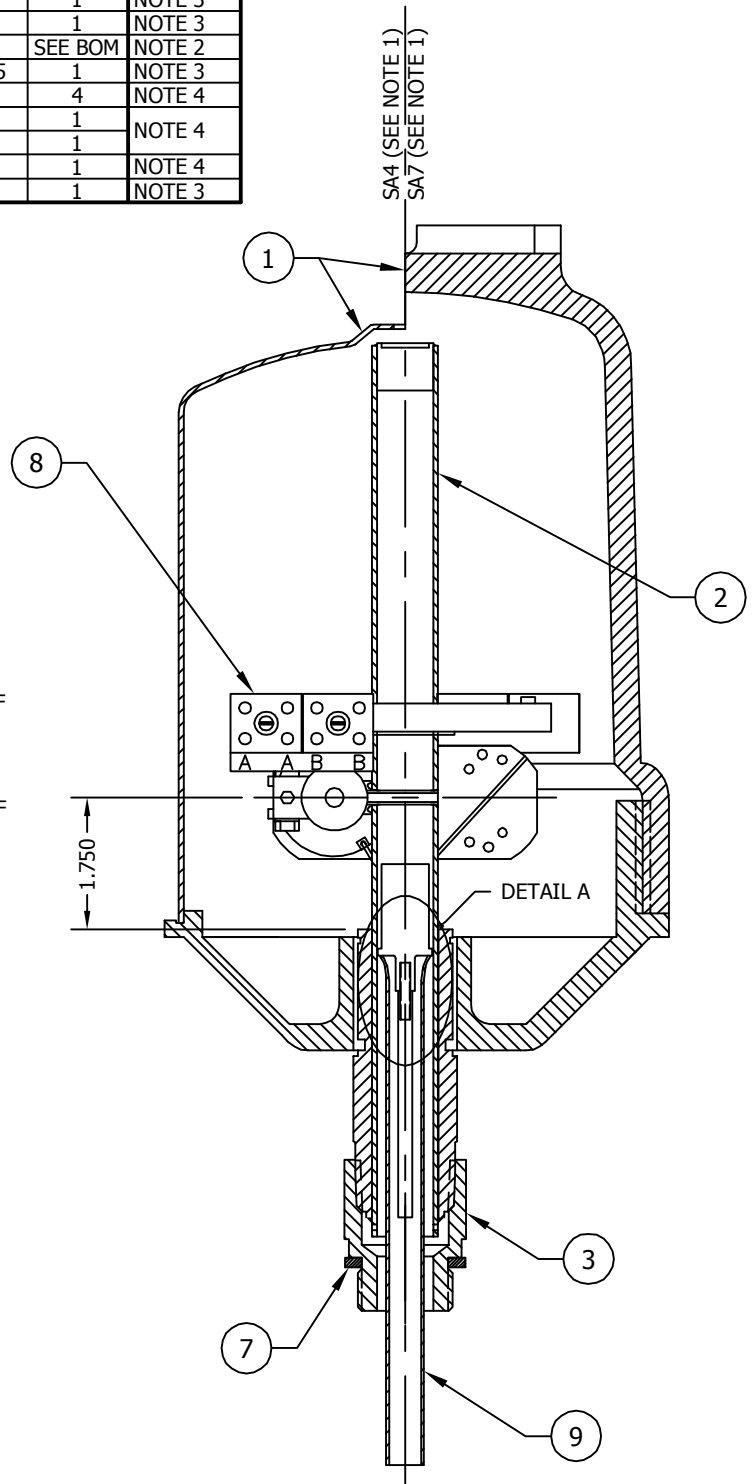
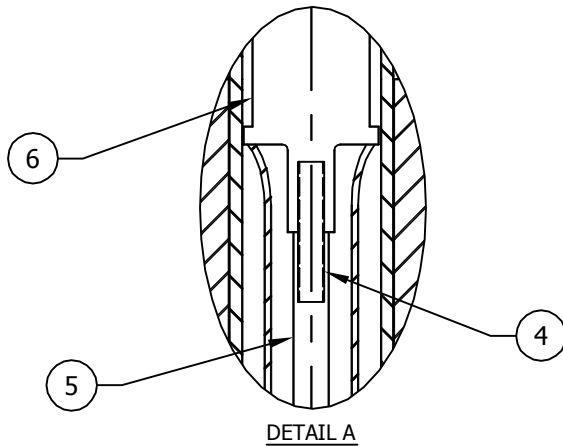
**JSCKIT - #### - ##**

**SWITCH MECHANISM**

- X4: SPDT 10A @ 120 VAC, 480° F
- D4: SPDT HI TEMP. 5A @ 120 VAC, 750° F
- H4: SPDT HERM. SEALED 5A @ 120 VAC, 480° F
- P4: SPDT GOLD PLATED 0.25A @ 120 VAC, 750° F
- X8: DPDT 10A @ 120 VAC, 480° F
- D8: DPDT HI TEMP. 5A @ 120 VAC, 750° F
- H8: DPDT HERM. SEALED 5A @ 120 VAC, 480° F
- P8: DPDT GOLD PLATED 0.25A @ 120 VAC, 750° F

**MAT'L, ENCLOSURE & NAMEPLATE**

- C4J4: JERGUSON, SA4, CS W/ 316SS TRIM
- C7J7: JERGUSON, SA7, CS W/ 316SS TRIM
- C4M4: MAGNE-SONICS, SA4, CS W/ 316SS TRIM
- C7M7: MAGNE-SONICS, SA7, CS W/ 316SS TRIM
- S4J4: JERGUSON, SA4, ALL 316SS
- S7J7: JERGUSON, SA7, ALL 316SS
- S4M4: MAGNE-SONICS, SA4, ALL 316SS
- S7M7: MAGNE-SONICS, SA7, ALL 316SS



REV	DATE	CHANGE	BY



**JERGUSON / MAGNESONICS®**

**KIT,  
CAGED SWITCH CONVERSION**

DRAWN: RM	
CHECKED:	
DATE: 6/17/11	
REVISION:	
DRAWING NO.:	REV.:
A-30707	0