

MATERIAL: SEE BOM		JERGUSON GAGE & VALVE CO. STRONGSVILLE, OHIO, U.S.A.	SAS-16 ASSEMBLY	DRAWING NO.:	REV.:
DRAWN: JSC	CHECKED:			A-25669	4
SCALE: NONE	DATE: 12/19/01			REV. 4 PER CDC 01-323/MV	PART NO.: A25669

ITEM	QTY	DESCRIPTION	ITEM NO.
A	1	HOUSING	V19799-E6-ANN
B	1	O-RING - 2 3/16" ID x 2 3/8" OD	G281
C	1	SWITCH	V19860
D	1	HOUSING CAP	V19800-E6-ANN
E	2	HOSE CLAMPS	V16027
F	1	TAG	V19861
G	2	DRIVE SCREW	P1654-P

SWITCH RATINGS

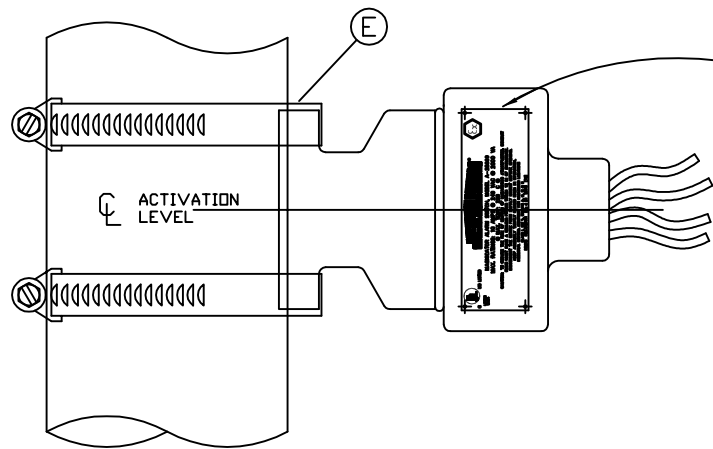
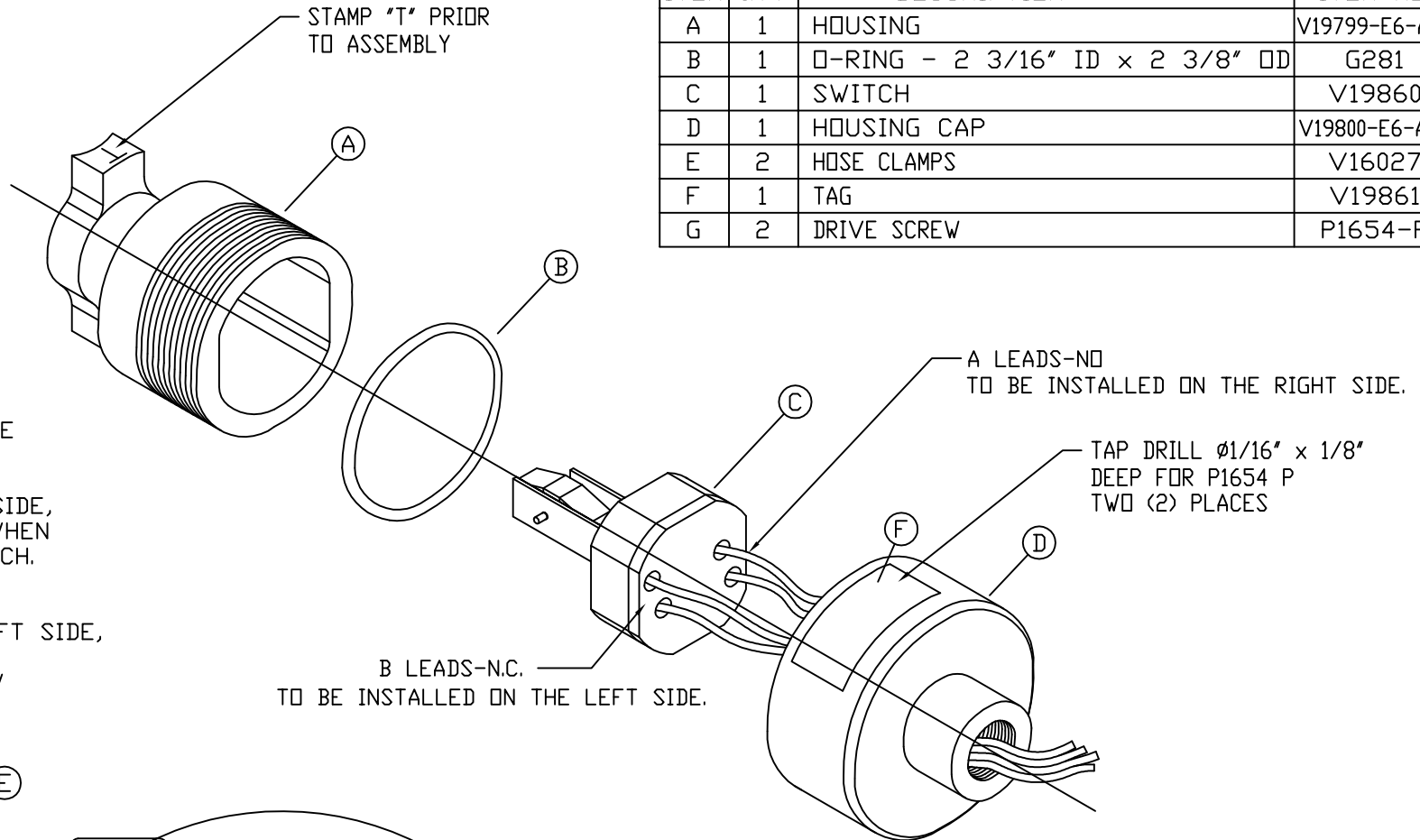
16 Amps @ 120 VAC
 10 Amps @ 240 VAC
 1/2 Amp @ 250 VDC

WIRING INSTRUCTIONS

ALL LEADS ARE PURPLE

LEADS LABELED 'A',
 INSTALLED ON RIGHT SIDE,
 ARE NORMALLY OPEN WHEN
 FLOAT IS BELOW SWITCH.

LEADS LABELED 'B',
 INSTALLED ON THE LEFT SIDE,
 ARE NORMALLY CLOSED
 WHEN FLOAT IS BELOW
 SWITCH.



JERGUSON

MAGNATOR ALARM SWITCH, MODEL A-25669
 MAX. RATINGS: 10 AMPS @ 240 VAC @ 2000 VA
 @ MAX. TEMP: 250 C

CAUTION: TO REDUCE THE RISK OF IGNITION OF HAZARDOUS ATMOSPHERES, CONDUIT RUNS MUST HAVE A SEALING FITTING WITHIN 18 IN OF ENCLOSURE. DISCONNECT THE DEVICE FROM SUPPLY CIRCUIT BEFORE OPENING. KEEP ASSEMBLY TIGHTLY CLOSED WHEN IN OPERATION.

INDUSTRIAL CONTROL EQUIPMENT FOR HAZARDOUS LOCATIONS
 CLASS I, DIV 1, GROUPS A, B, C & D
 DEMO# 00E-002791 EEX # RC 280C [12]

NOTES:

1. HOUSING IS TAPPED WITH 1/2" NPT.
2. SURFACE MARKED "T" IS THE TOP OF THE ASSEMBLY.
3. HOUSING CARRIES EXPLOSION-PROOF RATING TO MEET CLASS I, DIV. I, GRPS A, B, C & D.
4. FOR OPERATING TEMPERATURES GREATER THAN 450°F A 1/8" THICK INSULATING MAT'L SHOULD BE PLACED BETWEEN THE SWITCH & THE GAGE.