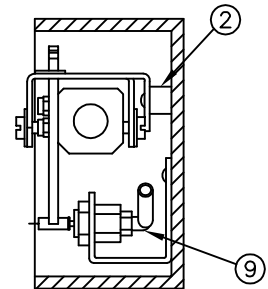
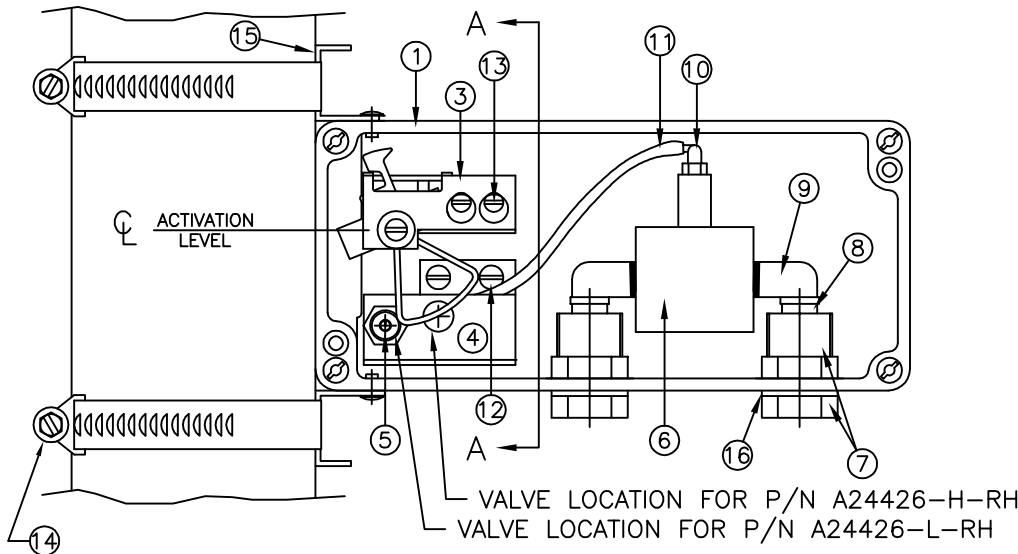


BILL OF MATERIAL

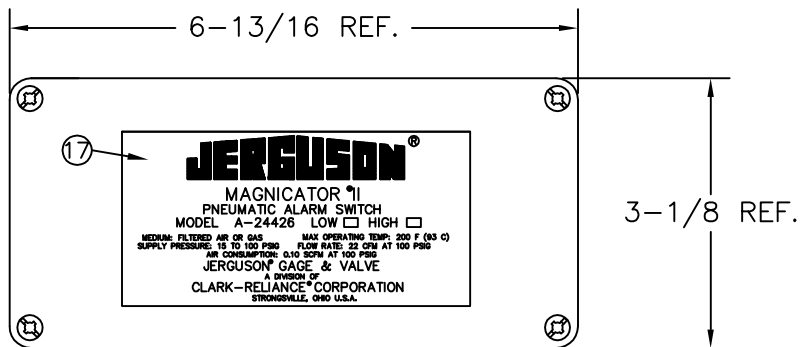
PIECE NO.	NAME OF PART	QTY.	PART NO.	REMARKS
1	HOUSING, PNEUMATIC SWITCH	1	V-19119	ALUMINUM
2	SPACER	2	V-19045	ALUMINUM
3	MAGNET/CAM SUB-ASSEMBLY	1	S-22268-RH	
4	MOUNTING BRACKET	1	V-19122	304SS
5	WHISKER SWITCH - SEE NOTE	1	V-19121	
6	PNEUMATIC LIMIT VALVE	1	V-19123	
7	1/8" NPT BULKHEAD FITTING	2	V-19124	
8	1/8" CLOSE NIPPLE	2	V-19191	BRASS
9	1/8" NPT 90° STREET ELBOW	2	V-19192	BRASS
10	1/16" 90° HOSE BARB FITTING	2	V-19125	
11	1/16" ID TUBING	1	V-19126	URETHANE
12	6-32X1/4 MOUNTING SCREW	6	V-16003-P	18-8SS
13	6-32X1/2 MOUNTING SCREW	2	P-1662-T	316SS
14	HOSE CLAMP	2	V-16027	SS
15	ALARM SWITCH BRACKET	2	V-19188	304SS
16	GASKET	2	V-19190	NEOPRENE
17	LABEL (CENTER ON LID)	1	V-19160	POLYESTER
18	GASKET	1	V-19216	NEOPRENE
19	MUFFLER	1	V-19217	SS
20	LABEL	1	V-19218	

NOTES:

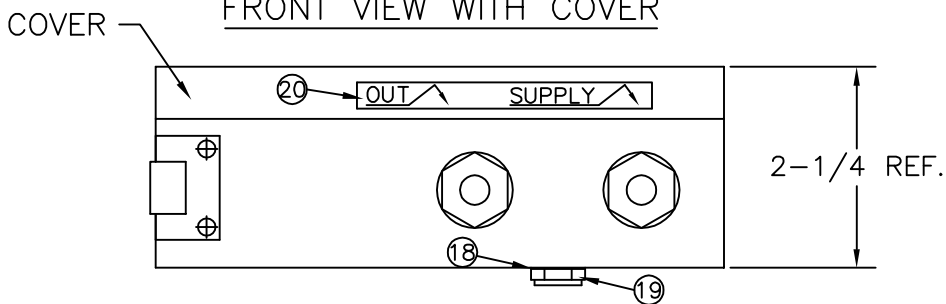
- PART NO. A24426-L-RH IS SHOWN.
"L" IN P/N INDICATES THAT WHEN FLOAT IS BELOW SWITCH LEVEL, AIR IS ON IN CONTROL MECHANISM.
"H" IN P/N INDICATES THAT WHEN FLOAT IS ABOVE SWITCH LEVEL, AIR IS ON IN CONTROL MECHANISM.
- MOUNT COMPONENTS AS SHOWN.



SECTION A-A



FRONT VIEW WITH COVER



BOTTOM VIEW

2	ADDED DIMENSIONS & MAT'LS	6/9/98	
1	REDRAWN	7/15/96	
SYM	REVISION	DATE	APP

ASSEMBLY,
PNEUMATIC SWITCH

JERGUSON
GAGE & VALVE CO.
STRONGSVILLE, OHIO, U.S.A.

DRAWN BAC	FILE NO.
CHECKED MJK	DRAWING NO. A-24426
APPROVED	REV. 2

SCALE NONE DATE 6/9/98