

COVER ASSEMBLY

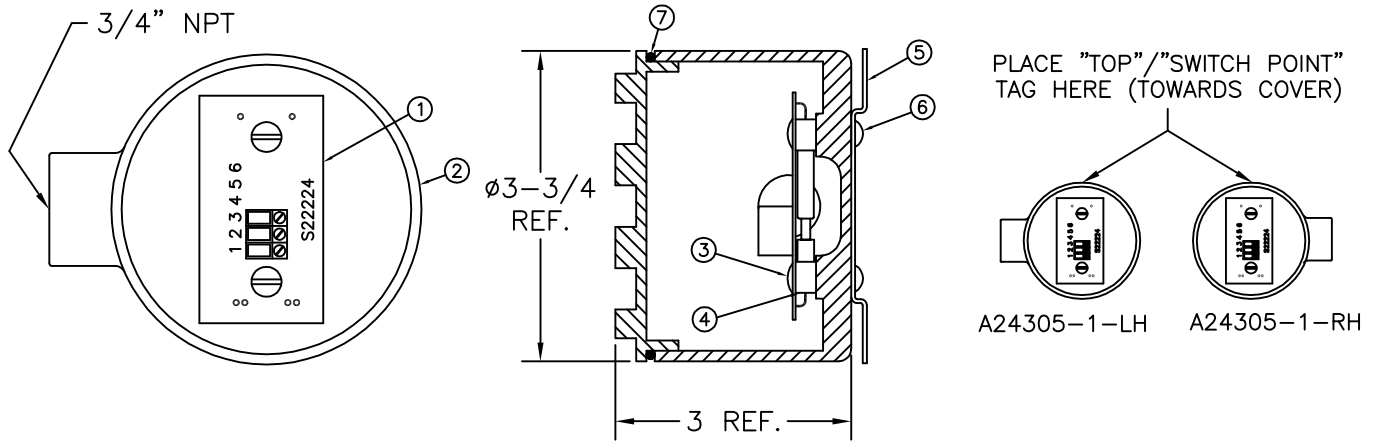
BILL OF MATERIAL

PIECE NO.	NAME OF PART	QTY.	PART NO.	REMARKS
1	SINGLE SWITCH CIRCUIT BOARD	1	S-22224-1	
	DOUBLE SWITCH CIRCUIT BOARD		S-22224-2	
2	JUNCTION BOX	1	V-19088-E8	
3	SCREW-CIRCUIT BOARD	2	X172997	
4	SPACER	2	V-19045-E7	
5	MOUNTING BRACKET	1	V-19067	
6	SCREW-MOUNTING BRACKET	2	X172910	
7	O-RING (NEOPRENE)	1	V-19137	
8	HOSE CLAMP	2	X177005	NOT SHOWN
9	DRIVE SCREW	2	P-1654-P	SEE NOTES
10	LABEL, REED SWITCH	1	V-19135	
11	WIRING DIAGRAM	1	V-19756	NOT SHOWN
12	TOP/SWITCH POINT TAG	1	V-19985	

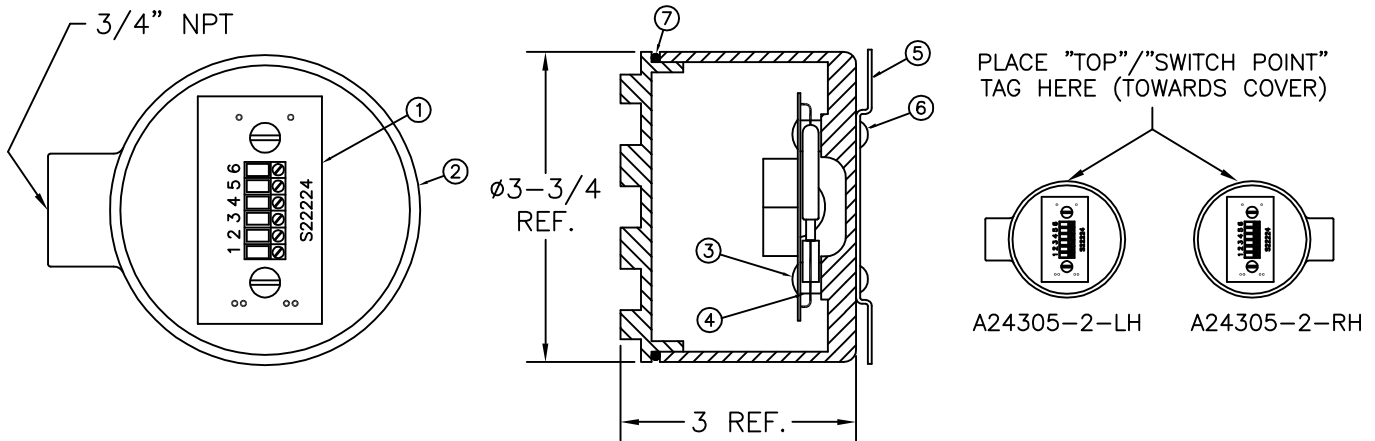
WIRING INFORMATION

TERMINAL	RISING LEVEL ALARM		FALLING LEVEL ALARM	
OPEN (NC)	2 & 3	5 & 6	1 & 3	4 & 6
CLOSE (NO)	1 & 3	4 & 6	2 & 3	5 & 6

A24305-1 SINGLE REED SWITCH ASSEMBLY



A24305-2 DOUBLE REED SWITCH ASSEMBLY



NOTES

- 1) DRILL HOLES FOR DRIVE SCREWS OUTSIDE OF THREAD DIAMETER ($\phi 3.32$) IN COVER.
- 2) THREAD DIAMETER SHOWN AS DOTTED LINE IN COVER VIEW.
- 3) PLACE "TOP"/"SWITCH POINT" TAG ON INSIDE OF COVER.

4	ADDED WIRING INFORMATION	3/25/02	
3	ADDED PIECE NOS. 11 & 12	2/21/01	
2	ADDED DIMENSIONS	6/9/98	
1	REDRAWN	7/15/96	
SYM	REVISION	DATE	APP

ASSEMBLY,
REED SWITCH

JERGUSON
GAGE & VALVE CO.
STRONGSVILLE, OHIO, U.S.A.

DRAWN
BAC
CHECKED
MJK
APPROVED

FILE NO.
DRAWING NO.
A-24305
REV. 4

SCALE NONE DATE 3/25/02