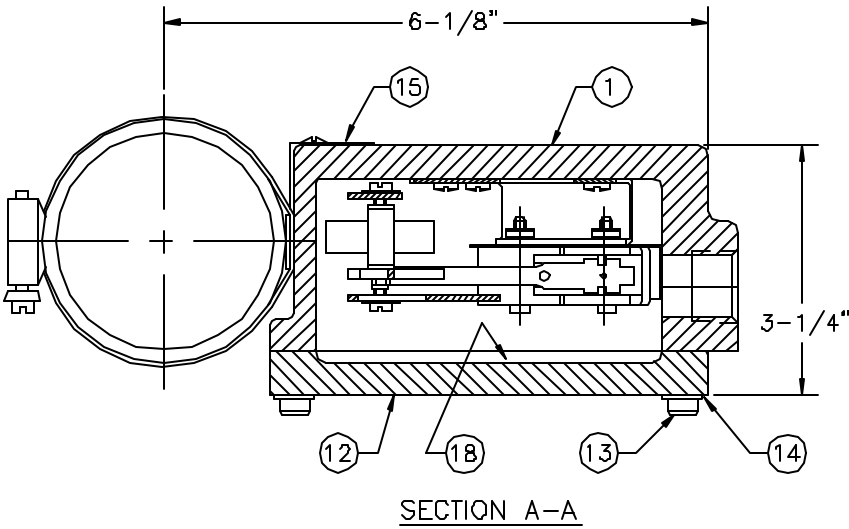


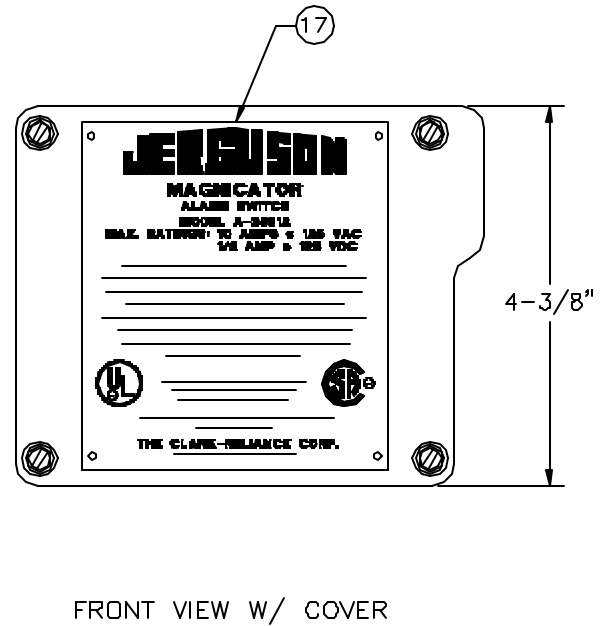
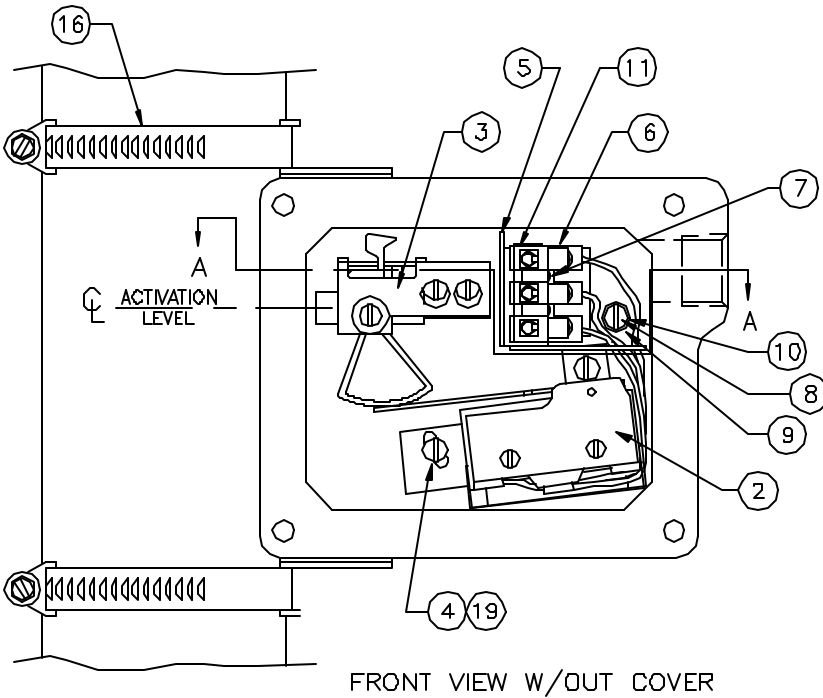
BILL OF MATERIAL

ITEM	DESCRIPTION	PART NO.	QTY.	MAT'L
1	HOUSING, SWITCH	V-18601-E2	1	ALUM
2	ASSEMBLY, SWITCH	S-21862-RH	1	---
3	ASSEMBLY, CAM/MAGNET	S-21853-RH	1	---
4	SCREW, MOUNTING	V-16003-P	6	302SS
5	BRACKET, TERMINAL STRIP MOUNTING	V-18607	1	ALUM/303/304SS
6	STRIP, TERMINAL (2-PIECE)	V-18608	1	PHENOLIC
7	SCREW, TERMINAL STRIP MOUNTING	X172722	2	304/316SS
8	SCREW, GROUND	V-15738-F	1	BRASS
9	WASHER, CUP	V-15829-F	1	BRASS
10	STANDOFF (UNDER GROUND SCREW)	V-18625	1	ALUM
11	LABEL, TERMINAL MARKING	V-18626	1	ADH. PAPER
12	COVER	L-1518	1	ALUM
13	SCREW, CAP	V-16001	4	18-855
14	WASHER, LOCK	V-16002	4	18-855
15	CLAMP, ALARM	V-15852	1	304SS
16	CLAMP, HOSE	V-16027	2	18-855
17	LABEL	V-18771	1	ALUM
18	WIRING DIAGRAM	V-18732	1	ADH VINYL
19	WASHER, LOCK 6-32	TF-002 C	4	STEEL

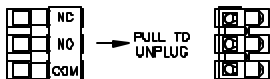


SWITCH RATINGS:

10 Amps @ 125 VAC
 1/2 Amp @ 125 VDC
 1 Amp @ 62 VDC



WIRING INSTRUCTIONS
 (SIDE & TOP VIEW OF 2-PIECE TERMINAL STRIP SHOWN BELOW. REMOVE TOP PORTION BEFORE WIRING.)



HIGH LEVEL SWITCH
 CONNECT TO NORM OPEN TERMINAL FOR MAKE ON ALARM
 CONNECT TO NORM CLOSED TERMINAL FOR BREAK ON ALARM

LOW LEVEL SWITCH
 CONNECT TO NORM CLOSED TERMINAL FOR MAKE ON ALARM
 CONNECT TO NORM OPEN TERMINAL FOR BREAK ON ALARM

NOTES:

- TOP PORTION OF TWO-PIECE TERMINAL STRIP IS TO BE REMOVED AT INSTALLATION, WIRED AS NEEDED (TERMINALS MARKED ON BACK OF TOP PIECE), AND PLUGGED BACK INTO BOTTOM PORTION.
- HOUSING IS TAPPED 1/2 NPT
- SWITCH IS RIGHT-HANDED AND MAY BE USED AS A HIGH OR LOW ALARM.
- HOUSING IS OF EXPLOSION-PROOF DESIGN TO MEET CLASS 1, DIVISION 1, GROUPS C & D.
- TWO SWITCHES MAY BE PLACED AT THE SAME LEVEL BY INSTALLING SWITCHES AT DIFFERENT ANGLES.
- FOR GAGE OPERATING TEMPERATURES GREATER THAN 450°F A 1/8" MIN. TO 1/4" MAX THICK PIECE OF INSULATING MATERIAL SHOULD BE PLACED BETWEEN SWITCH & GAGE.
- FOR 2-WIRE OPERATION, CONNECT ONE WIRE TO "COM" AND THE OTHER TO "NC" OR "NO".

ASSEMBLY,
 MAG. ALARM SWITCH

JERGUSON
 GAGE & VALVE CO.
 STRONGSVILLE, OHIO, U.S.A.

DRAWN MJK
 CHECKED
 APPROVED

FILE NO.
 DRAWING NO.
A23912
 REV. 3

4 PER CDC 99-016/CP	REVISION	DATE	APP
SYM	REVISION	DATE	APP

SCALE NONE DATE 02/18/99