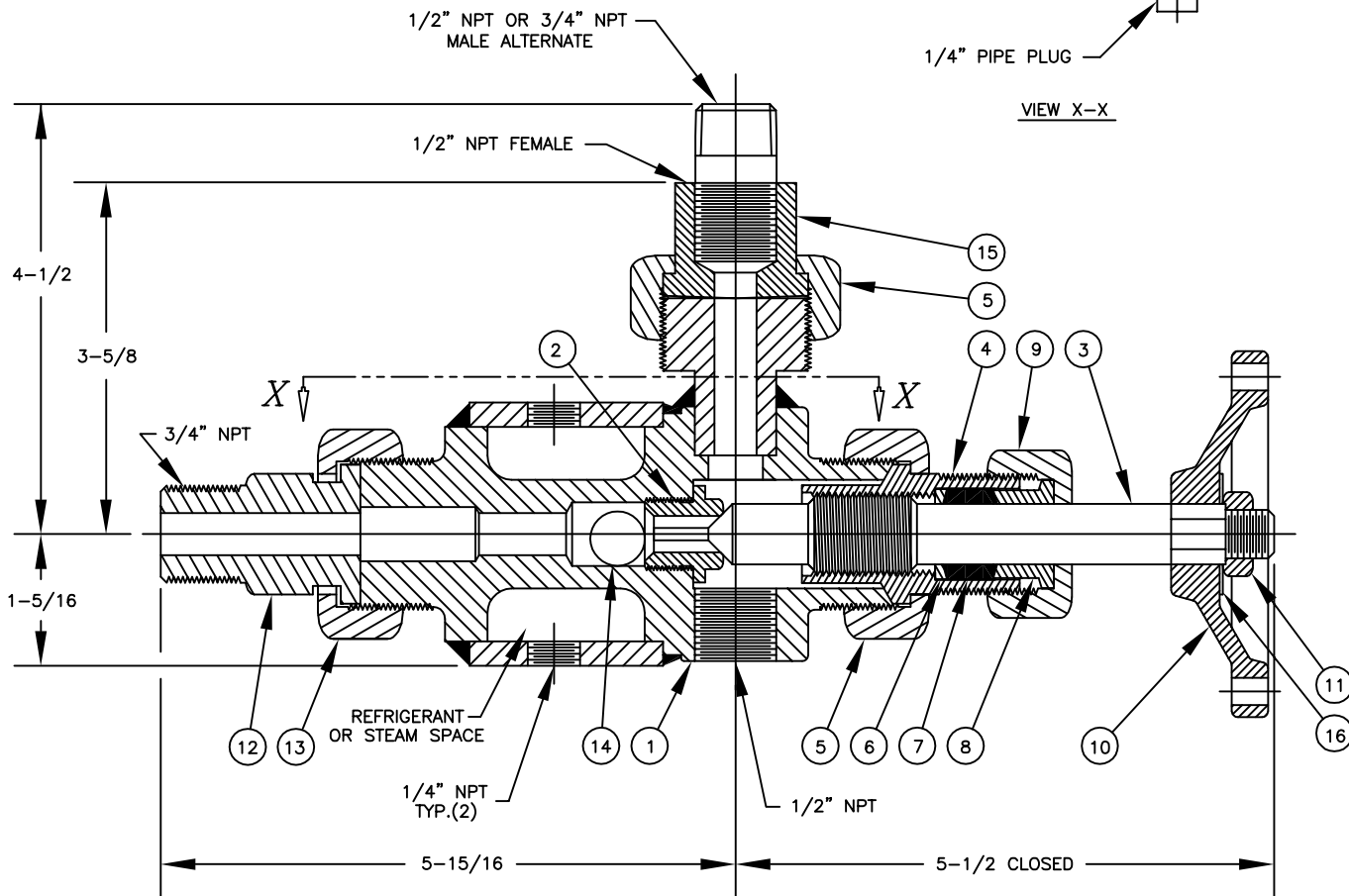
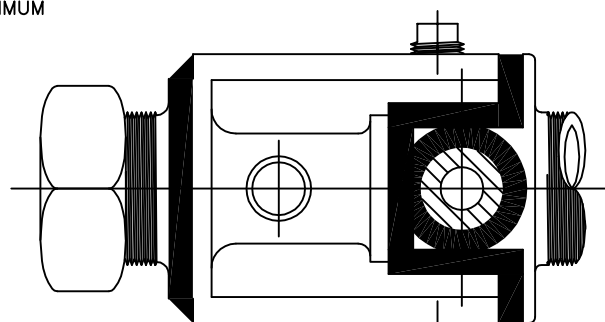


**BILL OF MATERIAL**

		94-1-01-A				94-1-01-T			
PIECE NO.	NAME OF PART	QTY.	MATERIAL	PART NO.	REMARKS	MATERIAL	PART NO.	REMARKS	
1	VALVE BODY	1	STEEL	S-94-1-01-A	ASTM A105	316L SS	S-94-1-01-T	ASTM A182	
2	SEAT	1	416 SS	P-125-U3	QQ-S-763	316 SS	P-125-T2	QQ-S-763	
3	STEM	1	416 SS	S-121-U3	QQ-S-763	316 SS	S-121-T2	QQ-S-763	
4	SLEEVE	1	STEEL	P-182-A6	ASTM A108	316 SS	P-182-T2	ASTM A276	
5	NUT-SLEEVE, TAILPIECE	2	STEEL	P-70-6-A6	ASTM A108	STEEL	P-70-6-A6	ASTM A108	
6	PACKING RING	1	STEEL	P-254-1-A6	ASTM A108	316 SS	P-254-1-T2	QQ-S-763	
7	PACKING	4	GPH/NICR	G-259		GPH/NICR	G-259		
8	GLAND	1	STEEL	P-39-A6	ASTM A108	STEEL	P-39-A6	ASTM A108	
9	NUT-GLAND	1	STEEL	P-70-3-A6	ASTM A108	STEEL	P-70-3-A6	ASTM A108	
10	HANDWHEEL	1	MAL. IRON	PD-325-D1		MAL. IRON	PD-325-D1		
11	NUT-STEM	1	STEEL	P-78-6-A12	ASTM A563	STEEL	P-78-6-A12	ASTM A563	
12	TAILPIECE, 3/4" MALE ADJ.	1	STEEL	V-12009-A6	ASTM A108	316 SS	V-12009-T2	ASTM A276	
13	NUT-TAILPIECE	1	STEEL	P-70-48-A6	ASTM A108	STEEL	P-70-48-A6	ASTM A108	
14	BALL CHECK	1	440 SS	P-1-I		316 SS	P-1-T2		
15	TAILPIECE, 1/2" FEMALE	1	STEEL	P-198-A6	ASTM A108	316 SS	P-198-T2	ASTM A276	
	P-400-A6			P-400-T2					
	P-120-A6			P-120-T2					
16	RATING TAG	1	SS	V-8981-94		SS	V-18716-94		

**NOTES:**

- VALVE RATING - CARBON STEEL & 316 SS  
4000 PSI @ 100°F, 1500 PSI @ 750°F  
JACKET RATING - 600# WSP
- TAILPIECE CENTERLINE MAY BE POSITIONED A MAXIMUM OF 5/64" OFF THE VALVE CENTERLINE.



6	REDRAWN & UPDATED	7/15/96	
5	REDRAWN & UPDATED	3/15/96	
4	REDRAWN & UPDATED	9/1/92	
3	REDRAWN & REVISED	4/25/86	
SYM	REVISION	DATE	APP

#94 JACKETED VALVE P/C  
UNION TANK CONN.

**JERGUSON**  
GAGE & VALVE CO.  
STRONGSVILLE, OHIO, U.S.A.

DRAWN	FILE NO.
TAP	DRAWING NO.
CHECKED	94-1-01
MJK	
APPROVED	REV. 6

SCALE NONE DATE 7/15/96