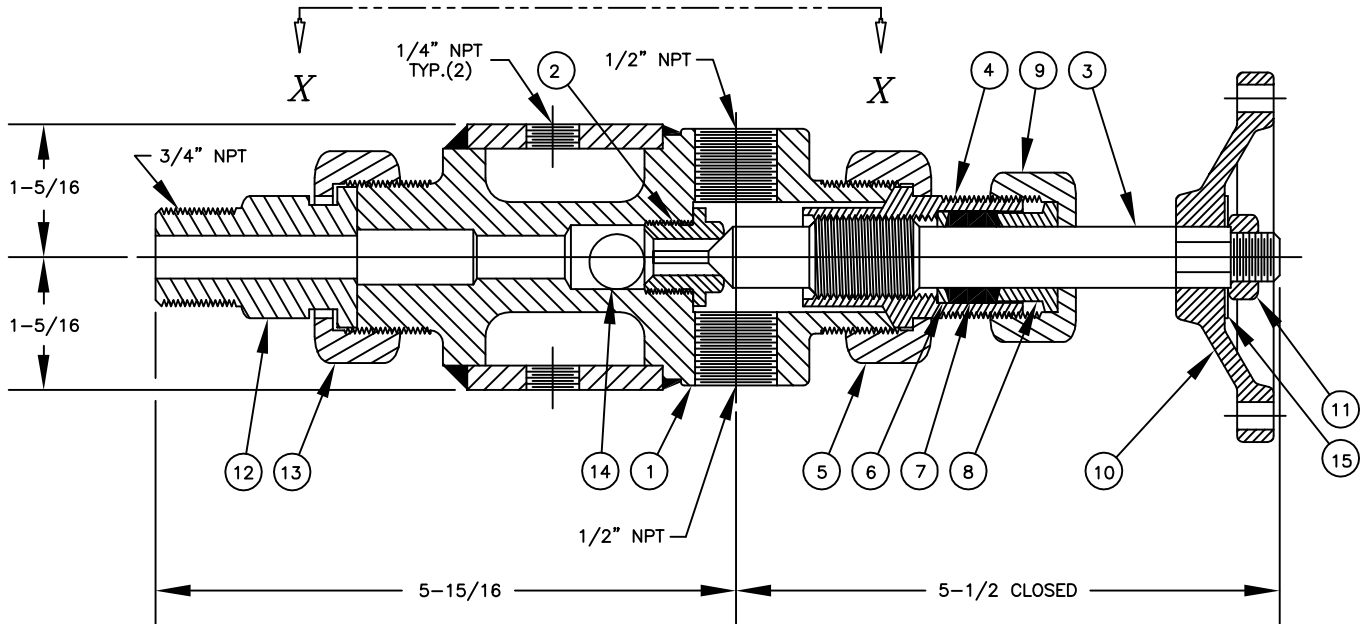
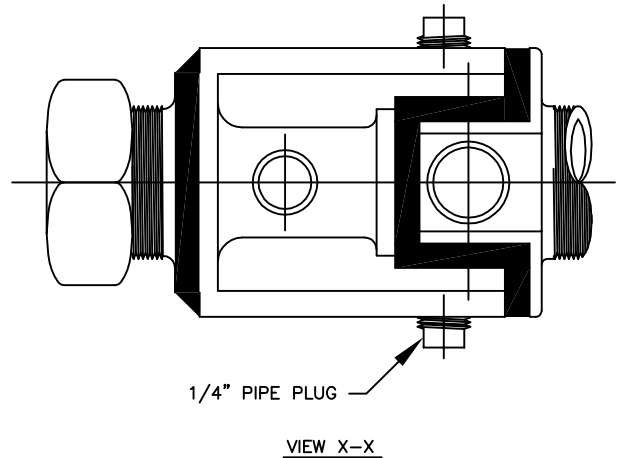


BILL OF MATERIAL

PIECE NO.	NAME OF PART	QTY.	93-1-01-A			93-1-01-T		
			MATERIAL	PART NO.	REMARKS	MATERIAL	PART NO.	REMARKS
1	VALVE BODY	1	STEEL	S-93-1-01-A	ASTM A105	316L SS	S-93-1-01-T	ASTM A182
2	SEAT	1	416 SS	P-125-U3	QQ-S-763	316 SS	P-125-T2	QQ-S-763
3	STEM	1	416 SS	S-121-U3	QQ-S-763	316 SS	S-121-T2	QQ-S-763
4	SLEEVE	1	STEEL	P-182-A6	ASTM A108	316 SS	P-182-T2	ASTM A276
5	NUT-SLEEVE	1	STEEL	P-70-6-A6	ASTM A108	STEEL	P-70-6-A6	ASTM A108
6	PACKING RING	1	STEEL	P-254-1-A6	ASTM A108	316 SS	P-254-1-T2	QQ-S-763
7	PACKING	4	GPH/NICR	G-259		GPH/NICR	G-259	
8	GLAND	1	STEEL	P-39-A6	ASTM A108	STEEL	P-39-A6	ASTM A108
9	NUT-GLAND	1	STEEL	P-70-3-A6	ASTM A108	STEEL	P-70-3-A6	ASTM A108
10	HANDWHEEL	1	MAL. IRON	PD-325-D1		MAL. IRON	PD-325-D1	
11	NUT-STEM	1	STEEL	P-78-6-A12	ASTM A563	STEEL	P-78-6-A12	ASTM A563
12	TAILPIECE, 3/4" MALE ADJ.	1	STEEL	V-12009-A6	ASTM A108	316 SS	V-12009-T2	ASTM A276
13	NUT-TAILPIECE	1	STEEL	P-70-48-A6	ASTM A108	STEEL	P-70-48-A6	ASTM A108
14	BALL CHECK	1	440 SS	P-1-I		316 SS	P-1-T2	
15	RATING TAG	1	SS	V-8981-93		SS	V-18716-93	

NOTES:

- VALVE RATING - CARBON STEEL & 316 SS
4000 PSI @ 100°F, 1500 PSI @ 750°F
JACKET RATING - 600# WSP
- TAILPIECE CENTERLINE MAY BE POSITIONED A MAXIMUM OF 5/64" OFF THE VALVE CENTERLINE.



6	REDRAWN & UPDATED	7/15/96	
5	REDRAWN & UPDATED	3/15/96	
4	REDRAWN & UPDATED	8/31/92	
3	UPDATED	8/21/85	
SYM	REVISION	DATE	APP

#93 JACKETED VALVE P/C
UNION TANK CONN.

JERGUSON
GAGE & VALVE CO.
STRONGSVILLE, OHIO, U.S.A.

DRAWN	FILE NO.
TAP	DRAWING NO.
CHECKED	93-1-01
MJK	
APPROVED	REV. 6

SCALE NONE DATE 7/15/96