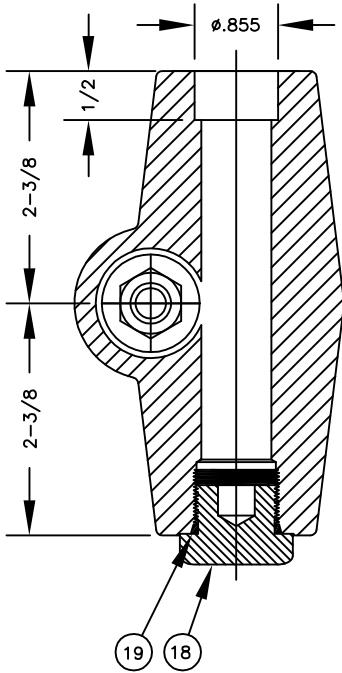


BILL OF MATERIAL

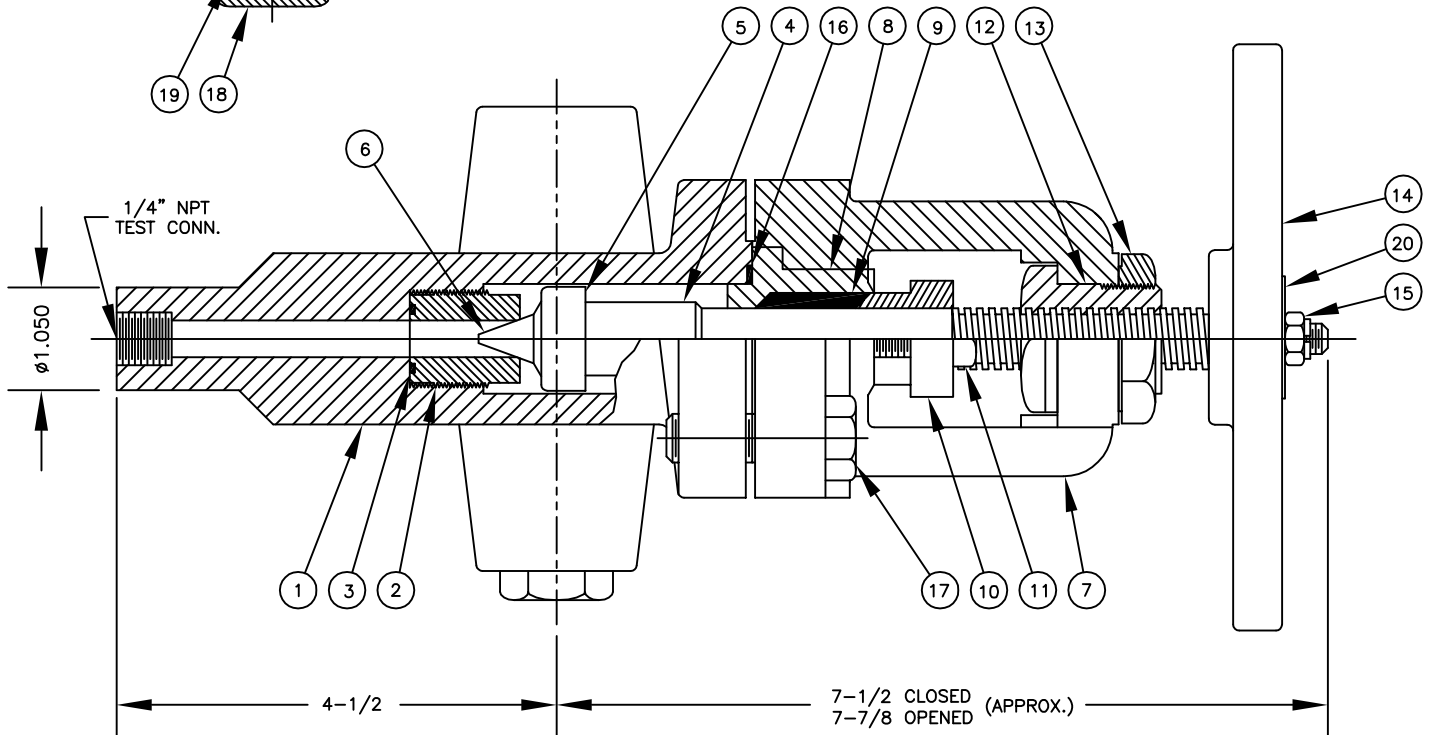
PIECE NO.	NAME OF PART	QTY.	86HO-2-01-A			86HO-2-01-T		
			MATERIAL	PART NO.	REMARKS	MATERIAL	PART NO.	REMARKS
1	VALVE BODY	1	STEEL	L-1002-A5	ASTM A105	316L SS	L-1002-TL1	ASTM A182
2	SEAT	1	416 SS	V-11429-U3	QQ-S-763	316 SS	V-11429-T2	QQ-S-763
3	SEAT O-RING	1	VITON	G-204		VITON	G-204	
4	STEM	1	416 SS		QQ-S-763	316 SS		QQ-S-763
5	SLEEVE-STEM	1	416 SS	S-10328-3-U	QQ-S-763	316 SS	S-10348-3-T	QQ-S-763
6	LOOSE KNOB	1	STELLITE #3			STELLITE #3		
7	YOKE	1	STEEL	L-942-B	S-24093	STEEL	L-1001-B	S-24093
8	SLEEVE-INSERT	1	-----	-----		316 SS	V-11431-T4	
9	PACKING	1	GRAFOIL	G-266		GRAFOIL	G-266	
10	GLAND	1	STEEL	V-18257-9-AL4	S-24093	STEEL	V-18257-9-AL4	S-24093
11	CAP SCREW-GLAND	2	STEEL	P-5729-B71	ASTM A193	STEEL	P-5729-B71	ASTM A193
12	BUSHING	1	ALUM-BR	P-8375-F32	QQ-C-465	ALUM-BR	P-8375-F32	QQ-C-465
13	NUT-BUSHING	1	STEEL	P-5665-A6	ASTM A108	STEEL	P-5665-A6	ASTM A108
14	HANDWHEEL	1	ALUMINUM	V-9808-E	ASTM B26	ALUMINUM	V-9808-E	ASTM B26
15	NUT-STEM	1	STEEL	V-9822-A		STEEL	V-9822-A	
16	O-RING GASKET	1	VITON	G-199		VITON	G-199	
17	CAP SCREW-YOKE	4	STEEL	P-6475-B71	ASTM A193	STEEL	P-6475-B71	ASTM A193
18	PLUG	1	STEEL	V-11433-A6	ASTM A108	316 SS	V-11433-T	QQ-S-763
19	PLUG O-RING	1	VITON	G-198		VITON	G-198	
20	RATING TAG	1	SS	V-18320-2		SS	V-18320-2	



NOTE:
1. HORIZONTAL BALL CHECK NOT AVAILABLE.

MATERIAL	RATING
STEEL	10000 PSI @ 100°F
316 SS	10000 PSI @ 100°F

MAXIMUM OPERATING TEMPERATURE 400°F.



6	REDRAWN & UPDATED	5/19/99	
5	REDRAWN & UPDATED	7/15/96	
4	REDRAWN & UPDATED	3/15/96	
3	REDRAWN & UPDATED	8/27/92	
SYM	REVISION	DATE	APP

**#86HO VALVE
NON-UNION TANK CONN.**

**JERGUSON
GAGE & VALVE CO.
STRONGSVILLE, OHIO, U.S.A.**

SCALE NONE DATE 7/15/96

DRAWN TAP	FILE NO.
CHECKED MJK	DRAWING NO.
APPROVED	86HO-2-01
	REV. 6