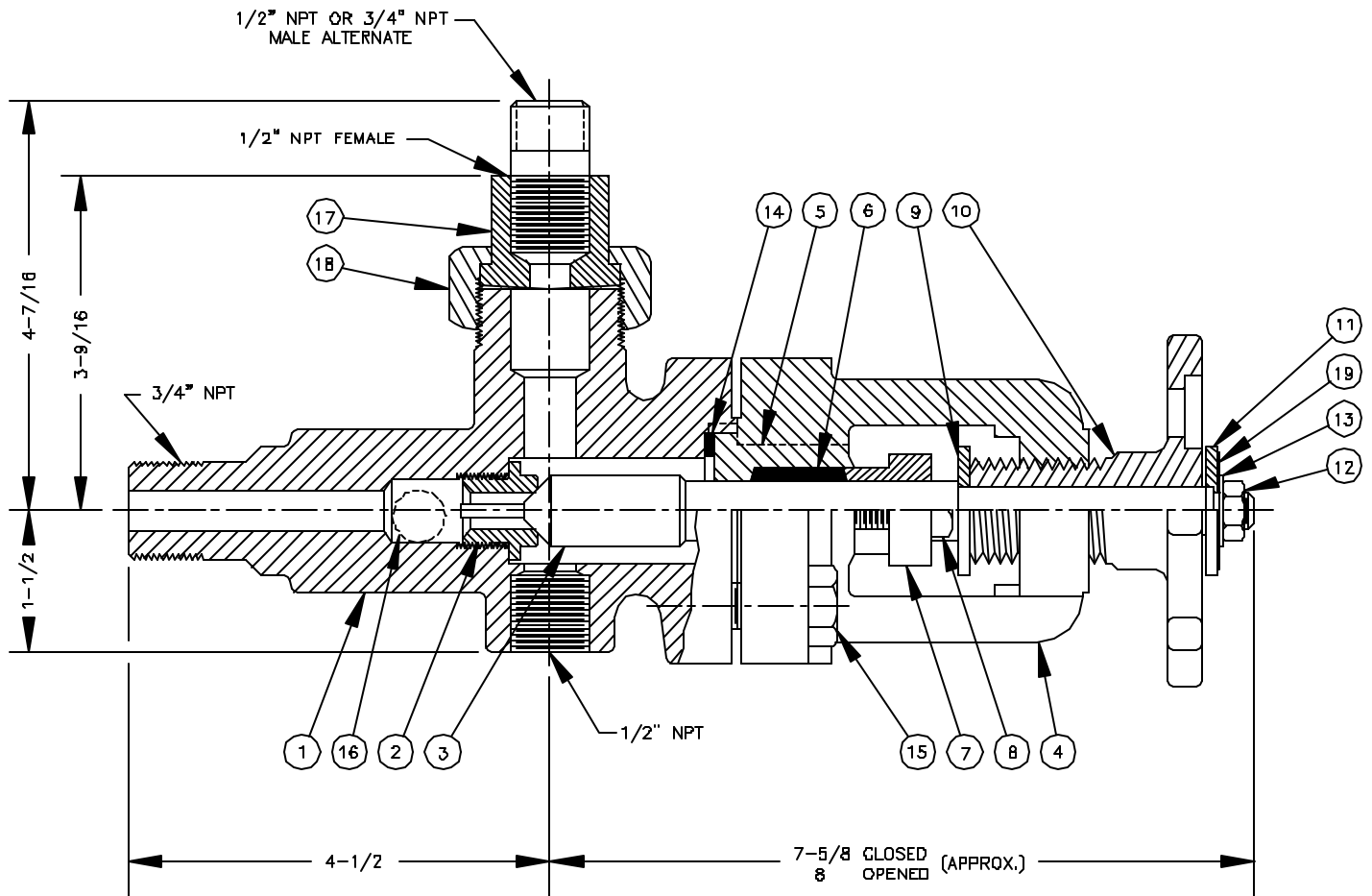


BILL OF MATERIAL

PIECE NO.	NAME OF PART	QTY.	74-2-01-A			74-2-01-T		
			MATERIAL	PART NO.	REMARKS	MATERIAL	PART NO.	REMARKS
1	VALVE BODY	1	STEEL	L-327-A5	ASTM A105	316L SS	L-459-A5	ASTM A182
2	SEAT	1	416 SS	P-125-U3	QQ-S-763	316 SS	P-125-T2	QQ-S-763
3	STEM	1	416 SS	P-6680-U3	QQ-S-763	316 SS	P-6680-T2	QQ-S-763
4	YOKE	1	STEEL	L-264-B	S-24093	STEEL	L-325-B	S-24093
5	SLEEVE-INSERT	1	-----	-----	-----	316 SS	P-6711-TL2	
6	PACKING	6	GPH/NICR	G-259		GPH/NICR	G-259	
7	PACKING GLAND	1	STEEL	V-18257-3-AL4	S-24093	STEEL	V-18257-3-AL4	S-24093
8	CAP SCREW-GLAND	2	STEEL	P-6153-B71	ASTM A193	STEEL	P-6153-B71	ASTM A193
9	WASHER-STEM	1	STEEL	P-6195-A4		STEEL	P-6195-A4	
10	HANDWHEEL	1	ALUM-BR	V-7730-F6	ASTM B148	ALUM-BR	V-7730-F6	ASTM B148
11	WASHER-HANDWHEEL	1	STEEL	P-6196-A4		STEEL	P-6196-A4	
12	NUT-STEM	1	STEEL	V-11061-A12		STEEL	V-11061-A12	
13	WASHER-STEM NUT	1	STEEL	P-33-2-A1		STEEL	P-33-2-A1	
14	SPIRAL GASKET	1	SS/CHLORO.	P-5643-T		SS/CHLORO.	P-5643-T	
15	CAP SCREW-YOKE	4	STEEL	P-6475-B71	ASTM A193	STEEL	P-6475-B71	ASTM A193
16	BALL CHECK	1	440 SS	P-1-I		316 SS	P-1-T2	
17	TAILPIECE, 1/2" FEMALE	1	STEEL	P-198-A6	ASTM A108	316 SS	P-198-T2	ASTM A276
	TAILPIECE, 1/2" MALE			P-400-A6			P-400-T2	
	TAILPIECE, 3/4" MALE			P-120-A6			P-120-T2	
18	NUT-TAILPIECE	1	STEEL	P-70-6-A6	ASTM A108	STEEL	P-70-6-A6	ASTM A108
19	RATING TAG	1	SS	V-8981-74		SS	V-18716-74	

NOTES:

1. BALL CHECK IS OPTIONAL; FURNISHED ON REQUEST.
2. VALVE RATING - CARBON STEEL
4000 PSI @ 100°F, 1500 PSI @ 750°F



5	REDRAWN & UPDATED	7/15/96	
4	REDRAWN & UPDATED	3/15/96	
3	REDRAWN & UPDATED	8/25/92	
2	GENERAL REVISION	9/12/85	
SYM	REVISION	DATE	APP

#74 VALVE
NON-UNION TANK CONN.

**JERGUSON
GAGE & VALVE CO.**
STRONGSVILLE, OHIO, U.S.A.

DRAWN	FILE NO.
TAP	DRAWING NO.
CHECKED	74-2-01
MJK	
APPROVED	REV. 5

SCALE NONE DATE 7/15/96