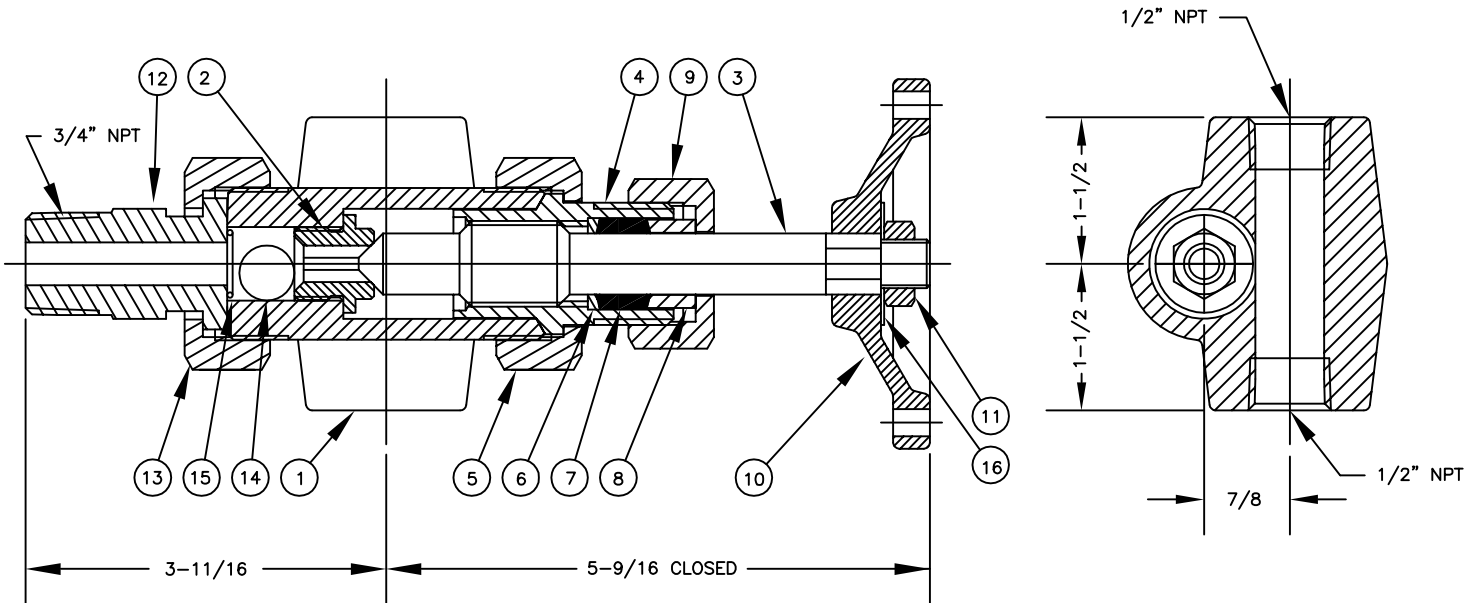


**BILL OF MATERIAL**

			66-1-01-A			66-1-01-T		
PIECE NO.	NAME OF PART	QTY.	MATERIAL	PART NO.	REMARKS	MATERIAL	PART NO.	REMARKS
1	VALVE BODY	1	STEEL	V-956-A5	ASTM A105	316L SS	V-956-TL1	ASTM A182
2	SEAT	1	416 SS	P-125-U3	QQ-S-763	316 SS	P-125-T2	QQ-S-763
3	STEM	1	416 SS	S-121-U3	QQ-S-763	316 SS	S-121-T2	QQ-S-763
4	SLEEVE	1	STEEL	P-182-A6	ASTM A108	316 SS	P-182-T2	ASTM A276
5	NUT-SLEEVE	1	STEEL	P-70-6-A6	ASTM A108	STEEL	P-70-6-A6	ASTM A108
6	PACKING RING	1	STEEL	P-254-1-A6	ASTM A108	316 SS	P-254-1-T2	QQ-S-763
7	PACKING	4	GPH/NICR	G-259		GPH/NICR	G-259	
8	GLAND	1	STEEL	P-39-A6	ASTM A108	STEEL	P-39-A6	ASTM A108
9	NUT-GLAND	1	STEEL	P-70-3-A6	ASTM A108	STEEL	P-70-3-A6	ASTM A108
10	HANDWHEEL	1	MAL. IRON	PD-325-D1		MAL. IRON	PD-325-D1	
11	NUT-STEM	1	STEEL	P-78-6-A12	ASTM A563	STEEL	P-78-6-A12	ASTM A563
12	TAILPIECE, 3/4" MALE ADJ.	1	STEEL	V-12009-A6	ASTM A108	316 SS	V-12009-T2	ASTM A276
13	NUT-TAILPIECE	1	STEEL	P-70-48-A6	ASTM A108	STEEL	P-70-48-A6	ASTM A108
14	BALL CHECK	1	440 SS	P-1-I		316 SS	P-1-T2	
15	BALL CHECK STOP	1	316 SS	V-13113-T		316 SS	V-13113-T	
16	RATING TAG	1	SS	V-8981-66		SS	V-18716-66	

**NOTES:**

1. VALVE RATING - CARBON STEEL & 316 SS  
4000 PSI @ 100°F, 1500 PSI @ 750°F
2. TAILPIECE CENTERLINE MAY BE POSITIONED A MAXIMUM OF 5/64" OFF THE VALVE CENTERLINE.



10	ADDED BALL (WAS MISSING)	9/30/04	
9	REDRAWN & UPDATED	7/7/98	
8	REDRAWN & UPDATED	7/15/96	
7	REDRAWN & UPDATED	3/15/96	
SYM	REVISION	DATE	APP

**#66 VALVE P/C  
UNION TANK CONN.**

**JERGUSON  
GAGE & VALVE CO.  
STRONGSVILLE, OHIO, U.S.A.**

SCALE NONE    DATE 9/30/04

DRAWN TAP	FILE NO.
CHECKED MJK	DRAWING NO.
APPROVED	<b>66-1-01</b>
	REV. 9