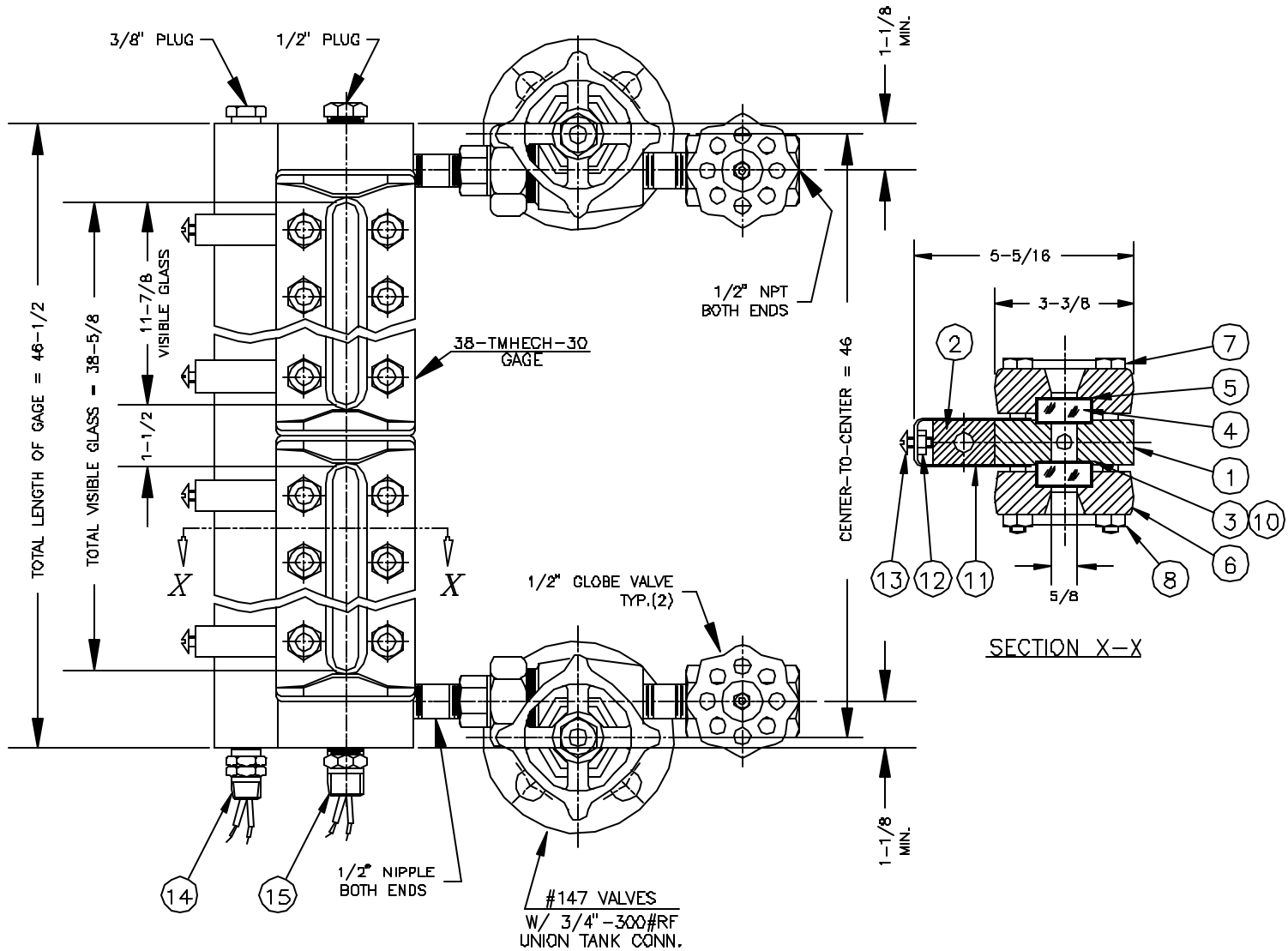


BILL OF MATERIAL					
PIECE NO.	NAME OF PART	QTY.	MATERIAL	PART NO.	REMARKS
1	CHAMBER (LIQUID)	1	STEEL	V-1856-38-AL4	
2	CHAMBER (HEATING)	1	ALUMINUM	V-11272-E7	
3	GASKET	6	IFG5500	V-18980-8	
4	GLASS	6	TEMPERED GLASS	V-16756-8	
5	CUSHION	6	IFC5500	V-18980-8	
6	COVER	6	STEEL	V-2M-8-A5	
7	BOLT	48	ALLOY STL	P-3098-B71	
8	NUT	48	STEEL	V-11062-2HA	
9	RATING TAG	1	SS	V-16344	
10	SHIELD	6	MICA	P-4452-8	
11	CLAMP	5	STEEL	V-11221-A3	
12	NUT	5	STEEL	P-8114-2HA	
13	SCREW	5	STEEL	P-5663-A	
14	ELECTRIC HEATER	1	SS	V-10922-20	SEE NOTES
15	THERMOSWITCH	1	BRASS	V-13012	SEE NOTES

CERTIFIED TO: EQUIPOS Y CONTROLES  
 P.O #: V1999-070  
 OUR #: C143406  
 ASSEMBLED ON 48" CENTERS  
 TAG: LG-5227A/B/C

- NOTES:
1. THERMOSTAT TEMP. RANGE = -100 TO 400 F. MAX. OPERATING PRESSURE FOR THERMOSTAT = 500 PSI.
  2. HEATER WATTAGE BASED ON 14 WATTS PER INCH OF GAGE LENGTH TO MAINTAIN A MIN. GAGE TEMP. OF 0 F IN STILL AIR WITH GAGE UNINSULATED.

UNIT RATING W/ 300#RF FLANGES:  
 740 PSI @ 100°F, 600 PSI @ 500°F



38-TMHECH-30 GAGE WITH #147 VALVES				<b>JERGUSON GAGE &amp; VALVE CO.</b> STRONGSVILLE, OHIO, U.S.A.		DRAWN	FILE NO.
						MJK	
SYM      REVISION      DATE      APP				SCALE NONE      DATE 6/15/89		CHECKED	DRAWING NO.
							38TMHECH30
						APPROVED	REV. 2