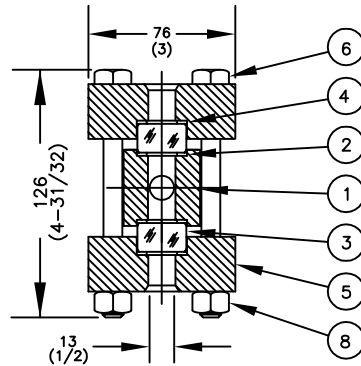
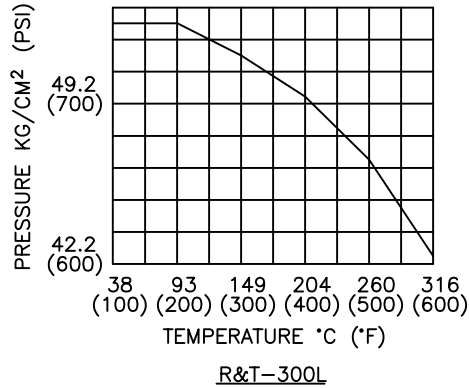
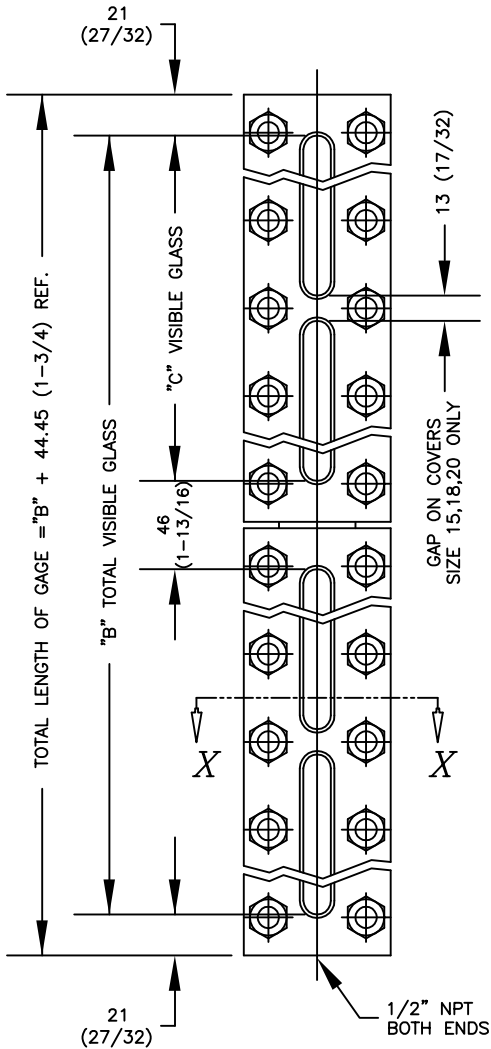


## BILL OF MATERIAL

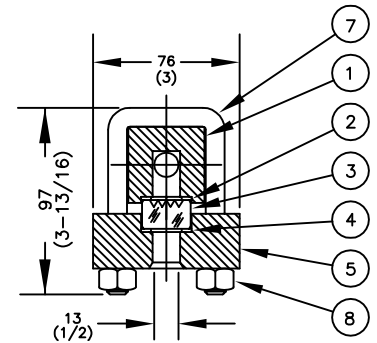
PIECE NO.	NAME OF PART		QUAN. T	MATERIAL	PART NO.	REMARKS
1	CHAMBER	TRANS	1	STEEL	V-19243- -A44	ASTM A696
		REFLEX	1		V-19331- -A44	ASTM A696
2	GASKET			IFG5500	V-19469-	
3	GLASS	TRANS	2/ SECT.	TEMPERED GLASS	L-1412-	
		REFLEX			L-1413-	
4	CUSHION		1/ SECT.	IFG5500	V-19469-	
5	COVER			STEEL	V-19607- -A11	ASTM A36
6	BOLT		SEE CHART	ALLOY STL	P-263-B71	ASTM A193 GR.B7
7	U-BOLT			ALLOY STL	P-256-B71	ASTM A193 GR.B7
8	NUT			STEEL	V-11062-2HA	ASTM A194 GR.2H
9	RATING TAG			1	V-19348-	

MAX. STEAM RATING FOR SERIES 300L REFLEX GAGES IS 300 W.S.P.

NOTE: DIMENSIONS IN mm W/ INCH EQUIVALENTS IN PARENTHESES.



SECTION X-X  
SERIES T-300L



SECTION X-X  
SERIES R-300L

SIZE NO.	QUAN. PER SECT.			DIM. "C" IN mm (INCHES)	COVER TIEBAR	NUMBER OF SECTIONS					
	BOLT	U-BOLT	NUT			DIMENSION "B" IN MILLIMETERS (INCHES)					
						1	2	3	4	5	6
11	12	6	12	260 (10.25)	NO	260 (10.25)	568 (22.375)	876 (34.5)	1181 (46.5)	1490 (58.625)	1797 (70.75)
12	14	7	14	286 (11.25)	NO	286 (11.25)	619 (24.375)	953 (37.5)	1283 (50.5)	1617 (63.625)	1949 (76.75)
13	16	8	16	311 (12.25)	NO	311 (12.25)	670 (26.375)	1029 (40.5)	1384 (54.5)	1744 (68.625)	2102 (82.75)
15	18	9	18	362 (14.25)	YES	362 (14.25)	772 (30.375)	1181 (46.5)	1588 (62.5)	1998 (78.625)	2407 (94.75)
18	20	10	20	438 (17.25)	YES	438 (17.25)	924 (36.375)	1410 (55.5)	1892 (74.5)	2379 (93.625)	2864 (112.75)
20	24	12	24	489 (19.25)	YES	489 (19.25)	1026 (40.375)	1562 (61.5)	2096 (82.5)	2633 (103.625)	3169 (124.75)

4	REDRAWN & NEW BOLTING	10/15/98	
3	CHANGED TO V-19469	5/29/98	
2	DIMENSION CORRECTION	9/19/97	
1	REDRAWN & UPDATED	2/6/97	
SYM	REVISION	DATE	APP

SERIES 300L GAGES  
300# ANSI RATED  
1/2" NPT END CONN.

**JERGUSON**  
GAGE & VALVE CO.  
STRONGSVILLE, OHIO, U.S.A.

DRAWN	FILE NO.
RMN	DRAWING NO.
CHECKED	300L-40
MJK	
APPROVED	REV. 4

SCALE NONE      DATE 10/15/98