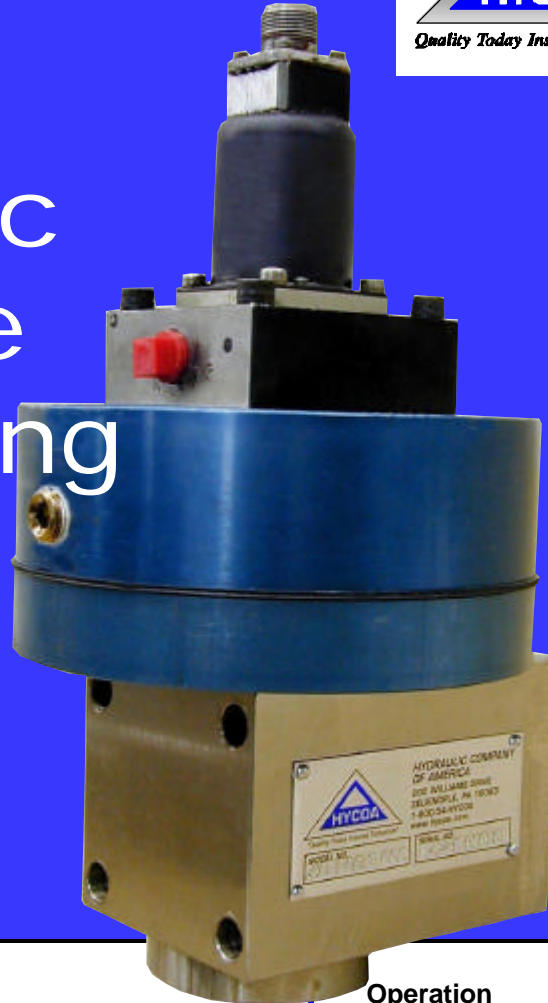


MODEL NO. 210-1-0004-001



HYCOA, Inc
200 Williams Drive
Zelienople, PA 16063
(724) 452-6015
FAX (724)452-4521
Email: admin@hycoa.com
Web: www.hycoa.com

Remote Hydraulic Pressure Regulating Valve



- Air/Hydraulic Control
- Subplate or Manifold Mounting

Features

This high performance regulator controls pressure within $\pm 1.5\%$ and provides rapid response to changes in setting, with excellent repeatability. Regulated, externally-applied pilot air serves as the control medium. This unit is designed for internal reverse flow, with equal pressure drop in both directions, and is recommended for a wide range of dead-end or through-flow service applications. Heavy duty construction assures a long working life with minimal servicing/maintenance requirements.

Applications

Designed to provide remotely controlled secondary hydraulic pressure, this valve is used extensively in the primary metals industry for roll contour and roll balance systems applications. Fluids being controlled by this model include 5% soluble oil and water, prosol, kerosene, mineral oils and phosphate ester.

Specifications

Materials: Body - Stainless Steel
Trim - Heat Treated Stainless Steel
Diaphragm Assembly - Anodized Aluminum
Diaphragm - Buna Seals - Viton & Teflon

Response Time: 500 to 2500 psi in 0.3 seconds

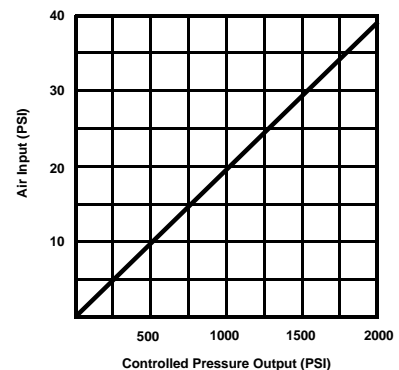
Flow: To 3.5 gallons/minute

Pressure Rating: To 3500 psi (supply).
0 to 3000 psi adjustment range. 50:1 regulating ratio.
A valve rated 5000 psi is available (consult factory).

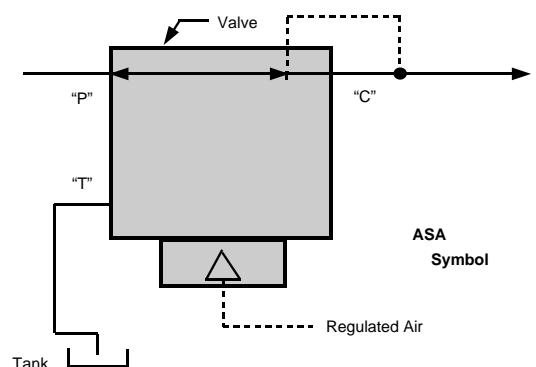
C_v: 0.35 gpm at 1 psi differential pressure.

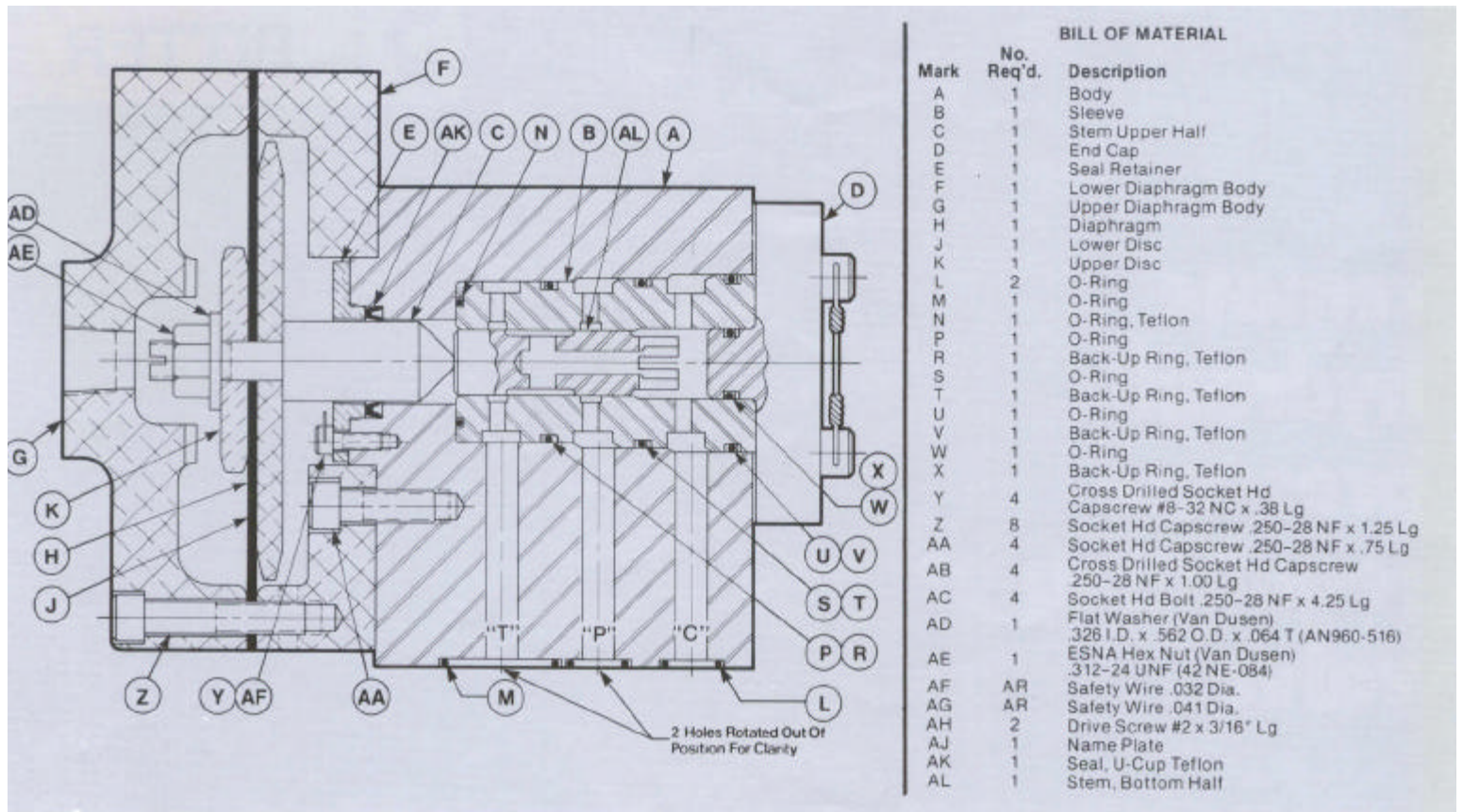
Port Sizes: 3/8 NPT subplates, side or bottom ported.

Operation

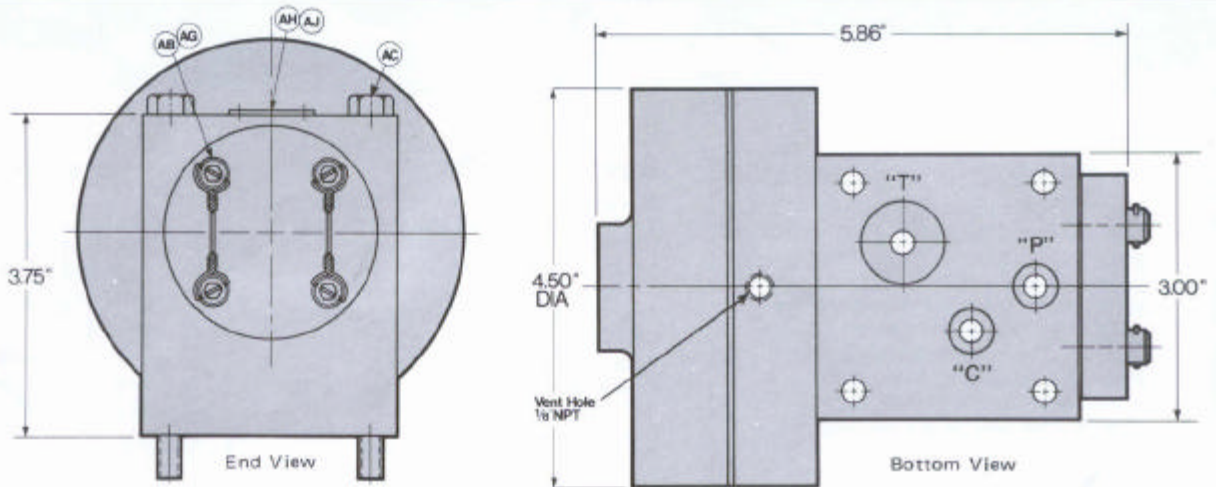


Typical Installation

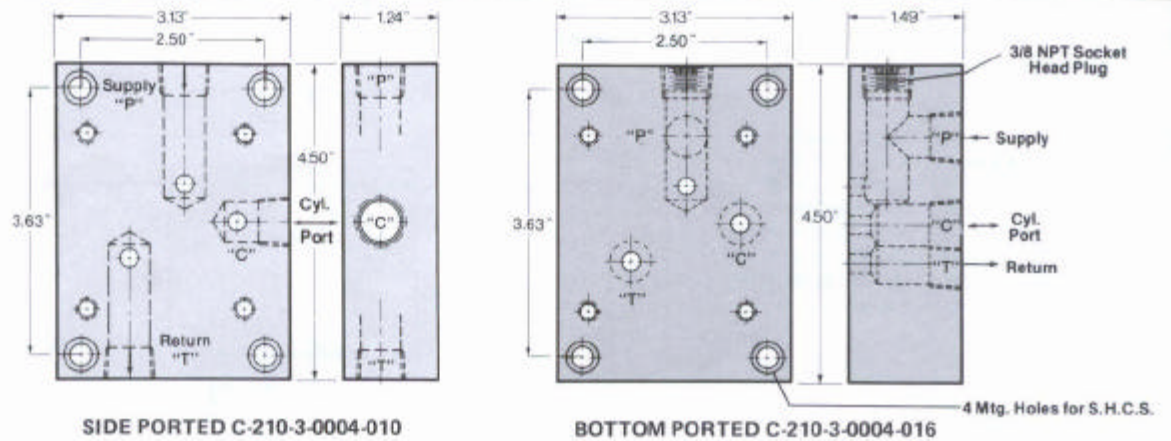




Envelope & Mounting Dimensions



Options
3/8 NPT Subplates
(C.R. Steel)



NOTE: This regulator can be manifold mounted together with other valves, Consult the factory for details.