



Quality Today Insures Tomorrow

Product Specifications & Applications

Hydraulic Company of America

100 PSI Liquid Bag Housing

HYCOA's Low Pressure (100 PSI) Liquid Bag Housing offers a quality vessel for lower pressure applications. Quality design and construction assure protection for all down-stream equipment.

Featuring rugged welded construction, these versatile vessels provide filtration solutions for a wide variety of industrial and process applications. The units utilize a wide variety of filter bag types to meet the most stringent requirements. Optional mesh lined baskets are available.

The vessels feature swing bolt closure o-ring sealed covers. The eye-bolt nuts allow easy opening and closing of the cover without the need to remove any hardware.

As a standard finish, all vessels are cleaned and painted inside and out with a 2-part epoxy. Stainless Steel vessels are supplied with a satin finish.



Features/Benefits

- Carbon Steel or 304 SS Construction
- 100 PSI Pressure Rating
- Low Pressure Drop
- Quick Swing Closure with Eye Nuts
- 2" FNPT Connections
- Differential, Vent & Drain Ports (plugged)
- Adjustable Support Legs
- Buna Seals (Lid & Basket)
- 304 SS Strainer Basket
- Variety of Filter Bags and Efficiency Ratings
- Optional Mesh Lined Baskets
- Standard Two-Part Epoxy Paint

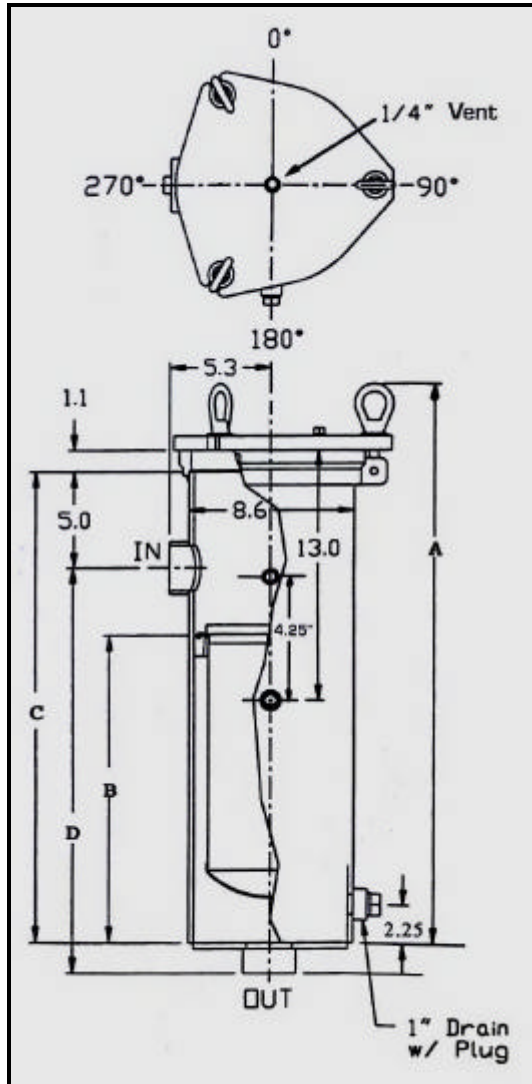
Applications

Industries:

- Pulp & Paper
- Food
- Petroleum
- Chemical

Applications:

- Cooling Water
- Edible Oils
- Fuel Oils
- Synthetic Fluids
- Naphtha
- Glycols
- Polymers



All Dimensions are Approximate

	Basket Depth	
	15"	30"
A	30.6	42.1
B	16.0	27.5
C	24.5	36.0
D	21.0	32.6

Specifications:

- ↳ Vessels rated at 100 PSI design pressure
- ↳ "O" ring seal 3-bolt swing closure with vent port
- ↳ 2" FNPT connections with side inlet & bottom outlet
- ↳ Two differential pressure ports
- ↳ Two part epoxy finish on carbon steel
- ↳ Stainless Steel vessels are supplied with satin finish
- ↳ Basket material is 304 SS with 9/64" perforations
- ↳ Basket seals onto o-ring in basket support
- ↳ Supplied with adjustable tripod leg assembly

Nomenclature:

Housing Type	Design Pressure	Material	Connection Size/Type	Outlet Location	Element Type	Element Size	Number of Elements
S1 = Simplex Bag D1 = Duplex Bag	0 = 100 PSI	1 = Carbon Steel 2 = 304 SS	2 = 2" N = FNPT	A = Bottom	B = Bag S = Strainer	1 = Size 1 2 = Size 2	1 = 1

Example:

S1-012NA-B21

Simplex Bag Filter @ 100 PSI in Carbon Steel with 2" FNPT connections (Bottom Outlet) taking (1) Size 2 Bag.

HYCOA, Inc.

200 Williams Drive, Zelienople, PA USA
 Phone: (724)452-6015 ♦ Fax: (724)452-4521
 www.hycoa.com
 Email: admin@hycoa.com